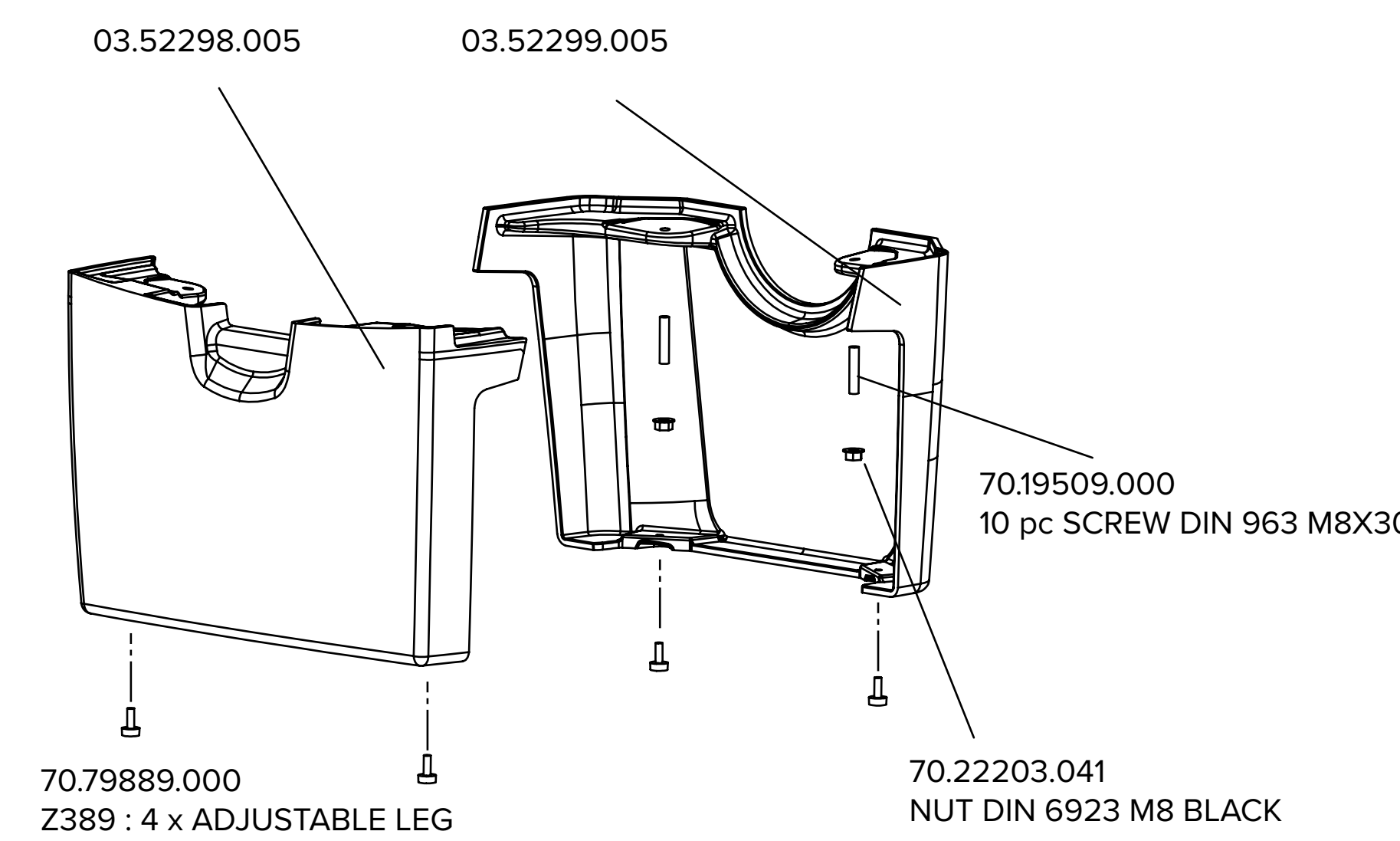


SENSE213



2	72.02472.000	ACHTERWAND SENSE	PLAQUE ARRIERE	BACK PLATE	RUCKPLATTE HINTEN SENSE
6	72.69225.000	TOPPLAAT SENSE 100-200	PLAQUE SUPERIEURE SENSE 100-200	TOP PLATE SENSE 100-200	TOPPLAAT SENSE 100-200
7	70.15365.000	DEKSEL TOPPLAAT SENSE ZWART	COUVERCLE PLAQUE SUPERIEURE SENSE	COVER TOP PLATE SENSE	DECKEL TOP PLATTE SENSE
9	70.66544.000	STOOKBODEM SENSE	PLAQUE DE SOLE SENSE	FIRE PLATE BOTTOM SENSE	FEUER BODEN SENSE
10	70.77429.000	VUURKORF RECHTS ACHTER SENSE	GARDE-BUCHES DROITE ARRIERE SENSE	LOG RETAINER RIGHT BACK SENSE	STEHROST RECHTS HINTEN SENSE
11	70.77428.000	VUURKORF LINKS ACHTER SENSE	GARDE-BUCHES GAUCHE ARRIERE SENSE	LOG RETAINER LEFT BACK SENSE	STEHROST LINKS HINTEN SENSE
12	70.77425.021	VUURKORF RECHTS ZWART SENSE	GARDE-BUCHES DROITE NOIR SENSE	LOG RETAINER RIGHT BLACK SENSE	STEHROST RECHTS SCHWARZ SENSE
13	70.77424.021	VUURKORF LINKS ZWART SENSE	GARDE-BUCHES GAUCHE NOIR SENSE	LOG RETAINER LEFT BLACK SENSE	STEHROST LINKS SCHWARZ SENSE
14	70.77423.021	VUURKORF ZWART SENSE	GARDE-BUCHES NOIR SENSE	LOG RETAINER BLACK SENSE	STEHROST SCHWARZ SENSE
15	72.27257.0A0	HANDGR. BEDIEN. LUCHTSCHUIF EMAIL MBLACK	POIGNEE REGLETTE D'AIR	HANDGR. BEDIEN. LUCHTSCHUIF EMAIL MBLACK	HANDGR. BEDIEN. LUCHTSCHUIF EMAIL MBLACK
16	72.00392.000	AANSLUITKRAAG BUITENLUCHT SENSE	AANSLUITKRAAG BUITENLUCHT SENSE	FLUE COLLAR OUTSIDE-AIR	AANSLUITKRAAG BUITENLUCHT SENSE
18	72.27413.021	HENDEL ZWART SENSE	POIGNEE NOIR SENSE	HANDLE	GRIFF SCHWARZ SENSE
19	70.00391.021	AANSLUITKRAAG ZWART SENSE	BUSELOT	COLLAR	STUTZE
25	70.26367.000	FRONTGLAS SENSE (400X355)	VITRE CERAMIQUE SENSE 400X355	CERAMIC GLASS SENSE 400X355	GLASSCHEIBE SENSE 400X355
26	70.26368.000	ZIJGLAS SENSE (135X394)	VITRE CERAMIQUE LATERALE SENSE (135X394)	CERAMIC GLASS SIDE SENSE (135X394)	GLASSCHEIBE SEITE SENSE (135X394)
27	72.38015.000	LUCHTSCHUIF SENSE 100-200 GELAST	REGLETTE D'AIR SENSE 100-200	DRAFT CONTROL SENSE 100-200	LUFT SCHIEBER SENSE 100-200
30	72.46548.000	OPVULPLAATJE SLUITNOK SENSE	PLAQUE DE CALAGE FERMETURE SENSE	SUPPORT LOCKING SENSE	SHIM VERSCHUSS SENSE
31	70.64314.021	SLUITNOK SLAMLOCK SENSE SAM.	FERMETURE SENSE	LOCKING SENSE	VERSCHUSS SENSE
33	70.05216.000	ASL.1806 ASLADE	ASL.1806 CENDRIER	ASL.1806 ASHTRAY	ASL.1806 ASCHEKASTEN
35	70.77523.000	VERMICULIET ZIJWAND RECHTS ACHTER SENSE	VERMICULITE PLAQUE LATERALE DROITE ARRIERE SENSE	VERMICULITE SIDE PLATE RIGHT BACK SENSE	VERMICULIET SEITE WAND RECHTS HINTEN SENSE
36	70.77522.000	VERMICULIET ZIJWAND LINKS ACHTER SENSE	VERMICULITE PLAQUE LATERALE GAUCHE ARRIERE SENSE	VERMICULITE SIDE PLATE LEFT BACK SENSE	VERMICULIET SEITE WAND LINKS HINTEN SENSE
37	70.76181.000	VLAMPLAAT VERMICULIET SENSE	DEFLECTEUR VERMICULITE SENSE	BAFFLE PLATE VERMICULITE SENSE	FLAMLEITPLATTE VERMICULIET SENSE
38	70.19507.000	10 st TAPEIND M8X20	10 p GOUJON DIN 939 M8X20	10 pc STUD DIN 939 M8X20	10 st STIFTSCHRAUBE DIN 939 M8X20
39	70.22203.041	10 st D6923 M8 ZESKANTFLENSMOER GEZW#	10 p ECROU DIN 6923 M8 NOIR	10 pc NUT DIN 6923 M8 BLACK	10 st MUTTER DIN 6923 M8
40	70.22201.041	10 st D6921 M8X20 ZESKANTFLENSBOUT GEZW	10 p BOULON DIN 6921 M8x20 NOIR	10 pc BOLT DIN 6921 M8x20 BLACK	10 st BOLZEN DIN 6921 M8x20 SCHWARZ
41	70.19410.000	10 st D934 M6 ZESKANTMOEREN	10 p ECROU DIN 934 M6	10 pc NUT DIN 934 M6	10 st MUTTER DIN 934 M6
42	70.18701.000	10 st D9021A Ø6XØ18 SLUITRING	10 P RONDELLE DIN 9021A Ø6	10 PC WASHER DIN 9021A Ø6XØ18	10 st UNTERLEGSCHIEBE DIN 9021A Ø6XØ18
43	70.13663.000	10 ST FLENSBUS Ø8.2XØ18X26	10 PC FLENSBUS	10 PC BUSH	10 ST FLENSBUS
45	70.72644.000	DRUKVEER RVS Ø18.2XØ1.25X40.5	RESSORT RVS Ø18.2XØ1.25X40.5	SPRING RVS Ø18.2XØ1.25X40.5	FEDER RVS Ø18.2XØ1.25X40.5
46	70.18615.000	10 st D7991 M8X35 VERZ.SCHR.BIZK VOL DRAAD	10 p VIS DIN 7991 M8X35	10 pc SCREW DIN 7991 M8X35	10 st SCHRAUBE DIN 7991 M8X35
48	70.22202.041	10 ST D6921 M8X30 ZESKANTFLENSBOUT GEZW.	10 p BOULON DIN 6921 M8x30 NOIR	10 pc BOLT DIN 6921 M8x30 BLACK	10 st BOLZEN DIN 6921 M8x30 SCHWARZ
49	70.17901.000	10 st D7349 Ø6,4XØ17X3 SLUITRING DIK	10 p ROND. D7349 Ø6,4xØ17x3	10 pc WASHER D7349 Ø6,4xØ17x3	10 st UNTERL.SCH.D7349 Ø6,4xØ17x3
50	70.18602.041	10 st D7991 M6X20 VERZ.SCHR.BIZK GEZW VOLDR	10 p VIS DIN 7991 M6x20 NOIR	10 pc SCREW DIN 7991 M6x20 BLACK	10 st SCREW DIN 7991 M6x20 BLACK
51	70.19304.000	10 st D933 M6X16 ZESKANTTAPBOUT	10 p BOULON DIN 933 M6x16	10 pc BOLT DIN 933 M6x16	10 st BOLZEN DIN 933 M6x16
53	70.17501.000	10 st D660 Ø6X25 BOLKOP KLINKN	10 p RIVET DIN 660 Ø6x25	10 pc HINGE PIN 6X25	10 st SCHARNIERSTIFT 660 Ø6x25
54	70.21743.000	10 st M5X12 STELSCHR.BI ZESK	10 p VIS DIN 916 M5X5 NOIR	10 pc SCREW DIN 916 M5X12	10 st GEWINDESTIFT DIN 916 M5X12
55	70.19303.000	10 st D933 M6X12 GEZWART ZESKANTTAPBOUT	10 p BOULON DIN 933 M6x12	10 pc BOLT DIN 933 M6x12	10 st BOLZEN DIN 933 M6x12
56	70.18604.041	10 st D7991 M6X25 VERZ.SCHR.BIZK GEZW VOL DR.	10 p VIS DIN 7991 M6x25 NOIR	10 pc SCREW DIN 7991 M6x25 BLACK	10 st SCHRAUBE DIN 7991 M6x25 SCHWARZ
57	70.18912.000	10 st D912 M6X10 CIL.KOPSCHR.B	10 p VIS A TETE	10 pc SOCKET HEAD SCREW DIN912 M6X10	10 st SCHRAUBEN MIT INNENSECHKANT
58	70.19801.041	10 st M5X10 PLATV.SCHR.KK ZWART 4.6	10 p VIS DIN 965 M5x10 NOIR	10 pc SCREW DIN 965 M5x10 BLACK	10 st SCHRAUBE DIN 965 M5x10 SCHWARZ
59	70.26101.041	4ST SET GLASBEV; 20X20MM	4PC SET FIXATION VITRE 20X20	4PC SET GLASS RETAINER 20X20	4ST SET GLAS BEHÄLTER 20X20
60	70.79889.000	Z839 : 4 X STELVOET 15M6X20 Z. KARTEL RAND	Z389 : 4 x PIED REGLABLE	Z389 : 4 x ADJUSTABLE LEG	Z839 : 4 x STELFUSS
61	70.21706.000	10 st STELSCHROEF M6X20 - DEM06020	10 p VIS SANS TETE M6X20 - DEM06020	10 pc SCREW DIN 916 M6x20 - DEM06020	10 st GEWINDESTIFTE DIN 916 M6x20 - DEM06020
62	70.16102.000	10 st VERBINDINGSMOER ROND M6X18	10 p ECROUR DE JONCTION RONDE M6X18	10 pc CONNECTION NUT ROUND M6X18	10 st VERBINDUNGSMUTTER RUND M6X18
63	70.16302.041	10 st LAAGBOL FL.SCHR.B.ZESK.M6X16 ZW.	10 p VIS M6X16	10 pc HEXAGON SOCKET SCREW WITH FLANGE M6X16	10 st SCHRAUBE M6X16

64	70.21709.000	10 st D916 M6X35 STELSCH.BI ZESK	10 p VIS DIN916 M6x35	10 pc SCREW DIN 916 M6x35	10 st GEWINDESTIFTE DIN 916 M6x35
65	70.19503.000	10 st TAPEIND M6X25	10 p GOUJON DIN 939 M6x25	10 pc STUD DIN 939 M6x25	10 st STIFTSCHRAUBE DIN 939 M6x25
66	70.79869.000	SERVICE KIT 6.5M GLASVEZELKOORD 8MM - SK	SERVICE KIT 6.5M JOINT FIBRE CERAMIQUE 8MM - SK	SERVICE KIT 6.5M GLASS FIBER ROPE 8 MM - SK	SERVICE KIT 6.5M GLASFABER SCHNUR 8MM - SK
67	70.79869.000	SERVICE KIT 6.5M GLASVEZELKOORD 8MM - SK	SERVICE KIT 6.5M JOINT FIBRE CERAMIQUE 8MM - SK	SERVICE KIT 6.5M GLASS FIBER ROPE 8 MM - SK	SERVICE KIT 6.5M GLASFABER SCHNUR 8MM - SK
68	70.79902.000	Z334 GL.VEZELKOORD Ø6 ZELF.KL. L=1.1M	Z334 JOINT FIBRE CERAMIQUE Ø6MM ADHÉSIF L=1.1M	Z334 GLASS FIBER ROPE Ø6 SELF ADH. L=1.1M	Z334 GLASFASER SCHNUR Ø6 SELBST KL. L=1.1M
69	70.79902.000	Z334 GL.VEZELKOORD Ø6 ZELF.KL. L=1.1M	Z334 JOINT FIBRE CERAMIQUE Ø6MM ADHÉSIF L=1.1M	Z334 GLASS FIBER ROPE Ø6 SELF ADH. L=1.1M	Z334 GLASFASER SCHNUR Ø6 SELBST KL. L=1.1M
70	70.79902.000	Z334 GL.VEZELKOORD Ø6 ZELF.KL. L=1.1M	Z334 JOINT FIBRE CERAMIQUE Ø6MM ADHÉSIF L=1.1M	Z334 GLASS FIBER ROPE Ø6 SELF ADH. L=1.1M	Z334 GLASFASER SCHNUR Ø6 SELBST KL. L=1.1M
DE	70.72646.002	SET SENSE BAUART I	SET SENSE BAUART I	SET SENSE BAUART I	SET SENSE BAUART I
GB	72.79902.000	Z402 : VLOERBEUGEL SENSE 200	Z402 : VLOERBEUGEL SENSE 200	Z402 : VLOERBEUGEL SENSE 200	Z402 : VLOERBEUGEL SENSE 200

