

INSTALLATIEVOORSCHRIFTEN EN GEBRUIKSAANWIJZING
INSTALLATION INSTRUCTIONS AND OPERATING MANUAL
INSTALLATION ET MODE D'EMPLOI
EINBAUANLEITUNG UND GEBRAUCHSANWEISUNG
INSTRUCCIONES DE INSTALACIÓN Y USO
REQUISITI PER L'INSTALLAZIONE E ISTRUZIONI PER L'USO
MONTERINGS- OG BRUKSANVISNING

HOUTKACHEL
WOOD STOVE
POELE A BOIS
HOLZ-FEUERSTÄTTE
ESTUFA DE LEÑA
STUFA A LEGNA
PEISOVN



BOLD 300



BOLD 400

BOLD



Table of contents

Introduction	2
Performance declaration	3
Safety	5
Installation requirements	5
General	5
Flue	5
Room ventilation	6
Floor and walls	6
Product description	7
Installation	7
General preparation	7
Preparing the connection to the flue	8
Preparing the outside air connection	9
Installing and connecting	9
Use	10
First use	10
Fuel	10
Lighting	10
Burning wood	11
Maximum amount of wood	12
Controlling combustion air	12
Extinguishing the fire	13
Removing ash	13
Fog and mist	14
Resolving problems	14
Maintenance	14
Flue	14
Cleaning and other regularly maintenance	14
BOLD spare parts	17
Appendix 1: Technical data	18
Appendix 2: Dimensions	19
Appendix 3: Distance from combustible material	21
Appendix 4: Diagnosis diagram	24
Index	25



Introduction

Dear user,

By purchasing this heating appliance from DOVRE you have selected a quality product. This product is part of a new generation of energy-efficient and environmentally-friendly heating appliances. These appliances make optimum use of convection heat as well as radiant heat.

- ▶ Your DOVRE appliance has been manufactured with state-of-the-art production equipment. In the unlikely event of a malfunction, you can always rely on DOVRE for support and service.
- ▶ The appliance should not be modified; please always use original parts.
- ▶ The appliance is intended for use in a living room. It must be hermetically connected to a properly working flue.
- ▶ We advise you have the appliance installed by an authorized and competent installer.
- ▶ DOVRE cannot be held liable for any problems or damage resulting from incorrect installation.
- ▶ Observe the following safety regulations when installing and using the appliance.

In this manual, you can read how the DOVRE heating appliance can be installed, used and maintained safely. Should you require additional information or technical data, or should you experience an installation problem, please first contact your supplier.

© 2016 DOVRE NV



Performance declaration

In accordance with construction products regulation 305/2011

No. 051-CPR-2015

1. Unique identification code of the product type:

BOLD 300 -400 / 7kW

2. Type, batch or serial number or other form of identification for the construction product, as prescribed in article 11, subsection 4:

Unique serial number.

3. Intended use for the construction product, in accordance with the applicable harmonised technical specification, as specified by the producer:

Stove for solid fuel without production of warm water in accordance with EN 13240.

4. Name, registered trade name or registered trademark and contact address of the producer, as prescribed in article 11, subsection 5:

Dovre N.V. Nijverheidsstraat 18 2381 Weelde Belgium.

5. If applicable, name and contact address for the authorised whose mandate covers the tasks specified in article 12, subsection 2:

-

6. The system or systems for the assessment and verification of the performance durability of the construction product, specified in appendix V:

System 3

7. If the performance declaration refers to a construction product that falls under a harmonised standard:

The appointed agency KVBG, registered under the number 2013, has performed a type test under system 3 and has issued the test report No. H2015/0078.

8. If the performance declaration concerns a construction product for which a European technical assessment is issued:

-

9. Declared performance:

The harmonised norm	EN 13240:2001/A2 ;2004/AC :2007
Essential characteristics	Performance Wood
Fire safety	
Fire resistance	A1
Distance from combustible material	Minimum distance in mm Rear: 300 Side: 250
Risk of glowing particles falling out	Conform
Emission of combustion products	CO: 0.10% (13%O ₂)
Surface temperature	Conform
Electrical safety	-
Ease of cleaning	Conform
Maximum operating pressure	-
Flue gas temperature at nominal output	246 °C
Mechanical resistance (carrying weight of chimney)	Not determined
Nominal output	7 kW
Efficiency	80 %

10. The performance of the product described in points 1 and 2 conform with the performance reported in point 9.

This performance declaration is supplied under the exclusive responsibility of the producer specified in point 4:

T. Gehem



Tom Gehem
CEO

01/10/2013 Weelde















Due to continuous product improvement, the specifications of the appliance supplied can vary from the description in this brochure without prior notice.


DOVRE N.V.

Nijverheidsstraat 18 Tel : +32 (0) 14 65 91 91
B-2381 Weelde Fax : +32 (0) 14 65 90 09
Belgium E-mail : info@dovre.be



Safety

-  Please note: All safety regulations must be complied with strictly.
-  Please read carefully the instructions supplied with the appliance for installation, use and maintenance before using the appliance.
-  The appliance must be installed in accordance with the legislation and requirements applicable in your country.
-  All local regulations and the regulations relating to national and European standards must be observed when installing the appliance.
-  The appliance should preferably be installed by an authorised installer. Installers will be aware of the applicable regulations and requirements.
-  The appliance is designed for heating purposes. All surfaces, including the glass and connecting tube, can become very hot (over 100°C)! When operating, use a so-called "cold hand" or an oven glove.
-  Ensure that the appliance is adequately guarded if young children, disabled people, the elderly or animals are present in the vicinity.
-  Safety distances from flammable materials must be strictly adhered to.
-  Do not place any curtains, clothes, laundry or other combustible materials on or near the appliance.
-  When in use, do not use flammable or explosive substances in the vicinity of the appliance.
-  Avoid chimney fires by having the chimney swept regularly. Never burn wood with the door open.
-  In the event of a chimney fire: close all the appliance's air inlets and alert the fire service.
-  If the glass in the appliance is broken or cracked, it must be replaced before the stove is used again.
-  Do not exert force on the door, do not allow children to pull on the opened door, never stand or sit on the opened door and do not place heavy objects on the door.

-  Ensure that there is adequate ventilation in the room in which the appliance is installed. If ventilation is insufficient, combustion will be incomplete whereby toxic gases can spread through the room. See the chapter "Installation requirements" for more information on ventilation.


Installation requirements

General


- ▶ The appliance must be connected tightly to a well-functioning flue.
- ▶ For connection measurements: see "Technical data" appendix.
- ▶ Ask the fire service and/or your insurance company about any specific requirements and regulations.

Flue

The flue is needed for:

- ▶ Removal of combustion gases via natural draught.
 -  As the warm air in the flue or chimney is lighter than the outside air, it rises.
- ▶ Air intake, needed for the combustion of fuel in the appliance.

A poorly-functioning flue or chimney can cause smoke to escape into the room when the door is opened. Damage caused by smoke emissions into the room is not covered by the warranty.

-  Do not connect multiple appliances (such as a boiler for central heating) to the same flue, unless local or national regulations allow this. In the event of two connections ensure that the difference in height between the connections is no less than 200 mm.

Ask your installer for advice regarding the flue. Refer to the European norm EN 13384 for a correct calculations for the flue.

The flue must satisfy the following **requirements**:

- ▶ The flue or chimney must be made of fire-resistant material, preferably ceramics or stainless steel.



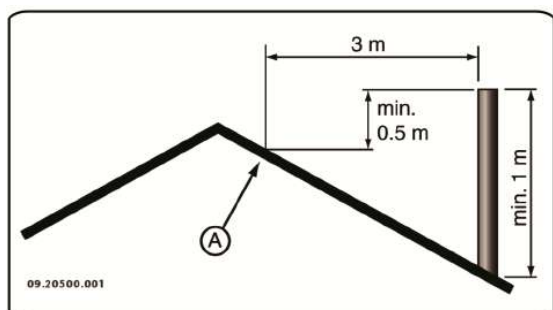
- ▶ The flue or chimney must be airtight and well-cleaned and guarantee sufficient draught.

i A draught/vacuum of 15 - 20 Pa during normal operation is ideal.

- ▶ Starting from the flue spigot, the flue must run as vertically as possible. Changes in direction and horizontal pieces disrupt the outward flow of combustion gases and may cause soot deposits.
- ▶ To prevent combustion gases from cooling down too much, which reduces the draught, ensure that the interior diameter is not too big.
- ▶ The flue or chimney should ideally have the same diameter as the connection collar.

i For nominal diameter: see "Technical data" appendix. If the smoke channel is well insulated, the diameter may be slightly bigger (up to 2x the section of the connection collar).

- ▶ The section (area) of the smoke channel must be constant. Wider segments and (in particular) narrower segments disrupt the outward flow of combustion gases.
- ▶ In fitting a cover plate/exhaust cap to the flue: make sure that the cover does not restrict the flue outlet and that the cap does not impede the outward flow of combustion gases.
- ▶ The flue must end in a zone that is not affected by surrounding buildings, trees or other obstacles.
- ▶ The flue outside the house must be insulated.
- ▶ The flue should be at least 4 metres high.
- ▶ As a rule of thumb: 60 cm above the ridge of the roof.
- ▶ If the ridge of the roof is more than 3 metres from the flue: use the measurements given in the following figure. A = the highest point of the roof within a distance of 3 metres.



Room ventilation

For good combustion, the appliance needs air (oxygen). This air is supplied via adjustable air inlets from the area in which the appliance is installed.

- ⚠ If ventilation is insufficient, combustion will be incomplete, which may lead toxic gases to spread through the room.

As a rule of thumb, the air supply should be 5.5 cm²/kW. Extra ventilation is needed when:

- ▶ The appliance is in a well-insulated area.
- ▶ There is mechanical ventilation, for example a central extraction system or an extraction hood in an open kitchen.

You can provide extra ventilation by having a ventilation louvre fitted on the outside wall.

Make sure that other air consuming appliances (such as tumble-driers, other heating appliances or a bathroom fan) have their own supply of outside air, or are switched off when you use the appliance.

- i** You can also connect the appliance to an outside air supply. A connection kit is supplied for this purpose. This makes additional ventilation unnecessary.

Floor and walls

The floor on which the appliance is placed must have sufficient bearing capacity. The weight of the appliance is given in the appendix "Technical Data appendix".

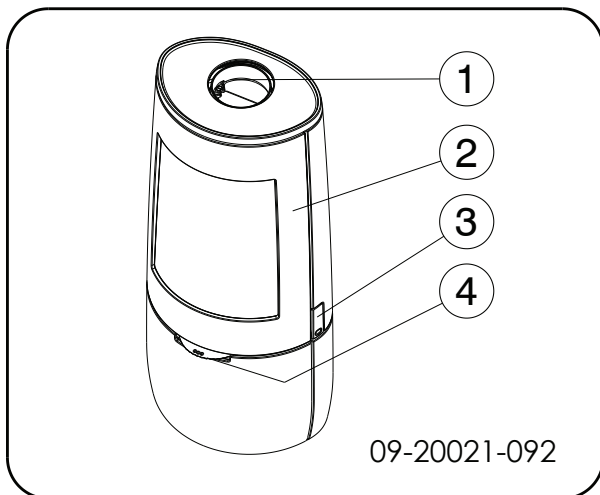
- ⚠ Protect flammable flooring from heat radiation by means of a fireproof protective plate. See the appendix "Distance from combustible material".
- ⚠ Remove combustible material such as linoleum, carpets/rugs and similar materials below the fireproof protective plate.
- ⚠ Keep sufficient distance between the appliance and combustible materials such as wooden walls and furniture.

- ⚠ The connecting tube also radiates heat. Ensure that there is sufficient distance or a shield between the connecting tube and combustible material.

The rule of thumb for a single-walled tube is a distance of 3x the diameter. If a lining shell is fitted around the tube, a distance of 1x the diameter is permissible.

- ⚠ Carpets and rugs must be at least 80 cm away from the fire.
- ⚠ Use a fireproof floor plate to protect a flammable floor from any ash which may fall in front of the stove. The floor plate must comply with national standards.
- ⚠ For the dimensions of the fireproof protective plate: see the appendix "Distance from combustible material".
- ⚠ For further requirements with respect to fire safety, see the appendix "Distance from combustible material".

Product description



1. Connection collar
2. Door
3. Latch
4. Air slide

Door lock

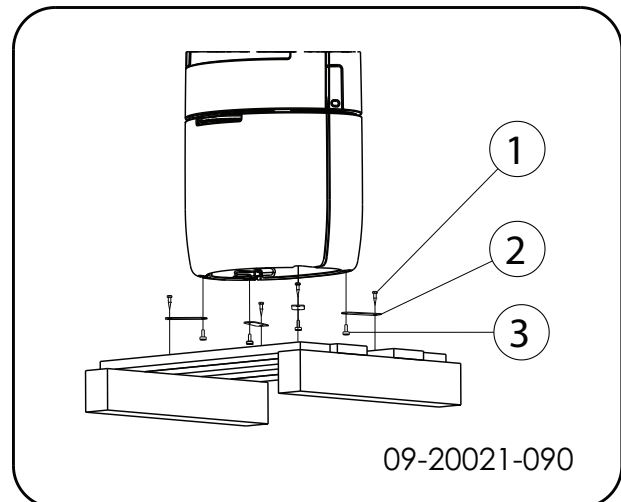
The appliance is supplied with the latch button (4) installed. The door is opened by pressing in the latch button. As the latch button becomes warm during use,

a glove has been supplied which you can use to protect your hand.

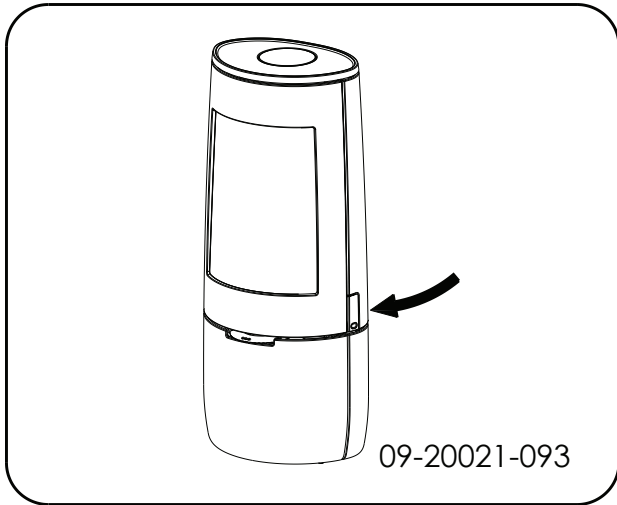
Installation

General preparation

- ▶ Please check the appliance immediately after delivery for damage during transport or any other damage or defects. The appliance is attached to the pallet with screws at the bottom.
- ⚠ If you detect transport damage or any other damage or defects, do not use the appliance and notify the supplier.
- ▶ Remove removable parts (fire-resistant inner plates, fire grate, top plate, ashtray) from the appliance before starting installation.
- i** It is easier to move the appliance and to avoid damage if the removable parts have been removed.
- ⚠ Note the location of the removable parts, so that you can re-position the parts in the correct place later on.

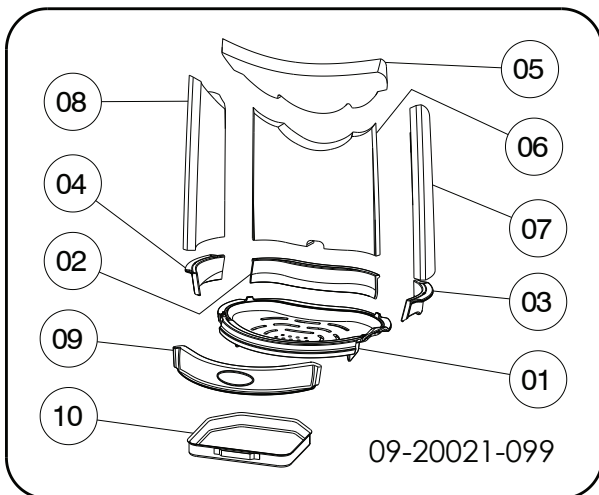


1. Remove the stove from the pallet by removing the bolts (1).
2. Remove the mounting brackets (2) by turning the adjustable feet (3) out.
3. Reassemble the adjustable feet (3).
4. Open the door; see the following figure:



5. Remove the fire-resistant inner plates; see the following figure:
 - a. First remove the baffle plate (05).
 - b. Remove the inner plates right (07) and left (08).
 - c. Remove the rear inner plate (06).
 - d. Remove the fire basket at the front (09).
 - e. Remove the fire basket left (04) and right (03).
 - f. Remove the fire basket at the back (02).
 - g. Remove the grate (01) and the ash pan (10).

i Vermiculite inner plates are light and tend to be ochrous in colour on delivery. They insulate the combustion chamber to boost combustion.



Removable internal parts

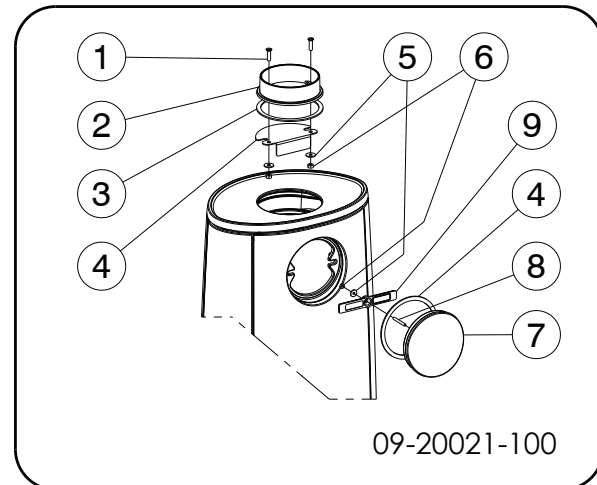
- 01 fire compartment base
- 02 fire basket rear
- 03 fire basket right
- 04 fire basket left
- 05 baffle plate
- 06 rear inner plate
- 07 inner plate right
- 08 inner plate left
- 09 fire basket front
- 10 ash pan

Preparing the connection to the flue

When connecting the appliance to the flue, you can choose to connect to the **top** or to the **rear** of the appliance

Connecting to the top

As standard, the appliance is delivered with the connection collar fitted for a connection at the top, see following figure.



Connecting to the back

For a connection to the rear, the position of the connection collar needs to be changed. The connection collar is attached with 2 M8 nuts (key 13). Proceed as follows:

Disassembly (see previous drawing)

1. First remove the baffle plate.

- Remove the cover (7) from the back wall by removing the nut (6) and the clamping bracket (9).
- Remove the cover (7) and the seal (8).

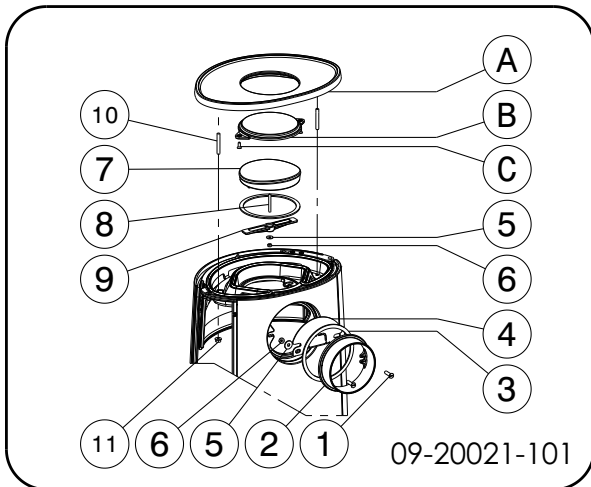
! Check that the sealing tape on the contact surface is not damaged. Replace the sealing tape if it is damaged.

- Disassemble the connecting collar (2) by undoing the bolts (1).
- Remove the connection collar (2), the seal (3) and the materials supplied (1, 5, 6).

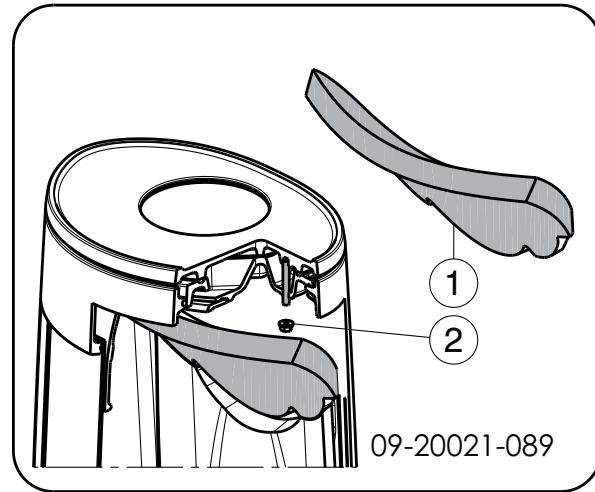
! Check that the sealing tape on the contact surface is not damaged. Replace the sealing tape if it is damaged.

- Remove the brake plate (4).

Assembly (see drawing below)



- Remove the top plate (A). First remove the two nuts (11).
- Assemble the decorative cover (B) using the materials supplied (C).
- Fit the connecting collar (2), the seal (3) and the brake plate (4) with the materials supplied (1, 5, 6) on the back wall
- Assemble the connection collar (7) and the seal (4) with the materials supplied (8, 9, 5, 6).
- Place the top plate (A) with assembled decorative cover (B) on the appliance and note the positioning ridges.



- Replace the top plate and screw it tightly using the nuts (2).
- Replace the baffle plate (1).

Preparing the outside air connection

If the appliance is installed in a room with insufficient ventilation, you can install the outside air connecting kit to the appliance.

The air supply tube is 100 mm in diameter. If the tube is smooth, it may be no longer than 12 metres. If accessories such as bends are used, the maximum length (12 m) must be reduced by 1 m for each accessory used.

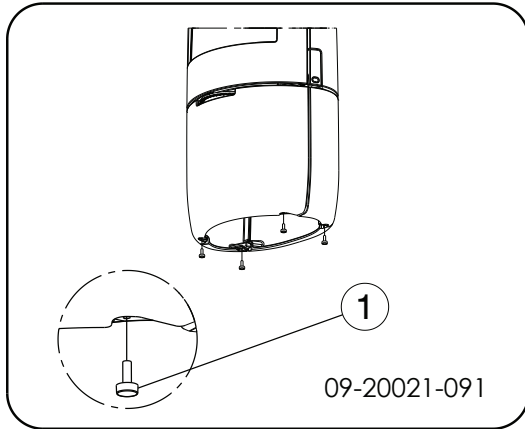
Outside air connection via the wall

- Make an opening in the wall (see the appendix, "Measurements", for the correct position of the opening).
- Close the air connection hermetically to the wall.

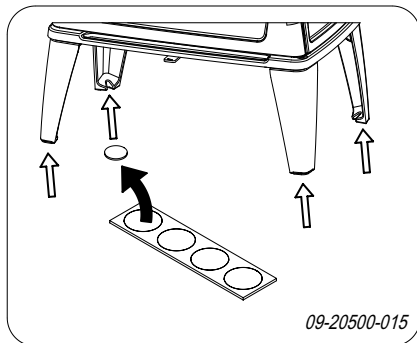
Installing and connecting

- Position the appliance in the correct place, and make sure it is level. The appliance is designed with adjustable feet, which may already be mounted on the appliance or be included. Use these adjustable feet so that the appliance can be placed perfectly level.





- If the appliance is to be placed on a smooth floor, the four anti-slip pads can be placed beneath the adjustable feet to prevent the appliance from moving, see next image.



- Connect the appliance to the flue hermetically.
- For outside air supply connection: connect the outside air supply to the connection kit which is fitted to the appliance.
- Re-position all removed parts to the correct places in the appliance.



Never use the appliance without the fire-resistant inner plates.

The appliance is now ready for use.

Use

First use

When you use the appliance for the first time, make an intense fire and keep it going for a good few hours. This will cure the heat-resistant paint finish. This may result in some smoke and odours. You could open windows and doors for a while in the area in which the appliance is located.

Fuel

This appliance is only suitable for burning natural wood; sawn and chopped wood that is sufficiently dry.

Do not use other fuels, as they can cause serious damage to the appliance.

The following fuels may not be used as they pollute the environment, and because they heavily pollute the appliance and flue, which may lead to a chimney fire:

- ▶ Treated wood, such as scrap wood, painted wood, impregnated wood, preserved wood, plywood and chipboard.
- ▶ Plastics, scrap paper and domestic waste.

Wood

- ▶ Hardwood, such as oak, beech, birch and fruit tree wood is the ideal fuel for your stove. This type of wood burns slowly with calm flames. Softwood contains more resins, burns faster and sparks more.
- ▶ Use seasoned wood that contains no more than 20% moisture. The wood should have been seasoned for at least 2 years. Wood with a moisture content of 20% provides 4.2 kWh per kg wood. Wood with a moisture content of 15% provides 4.4 kWh per kg wood. Freshly felled wood has a moisture content of 60% and only provides 1.6 kWh per kg wood.
- ▶ Saw the wood to size and split it while it is still fresh. Fresh wood is easier to split, and split wood dries more easily. Store the wood under a roof where the wind has free access.
- ▶ Do not use damp wood. Damp logs do not produce heat as all the energy is used in the evaporation of moisture. This will result in a lot of smoke and soot deposits on the appliance door and in the flue. The water vapour will condense in the appliance and can leak away through chinks in the stove, causing black stains on the floor. It may also condense in the chimney and form creosote. Creosote is a highly flammable compound and may cause a chimney fire.

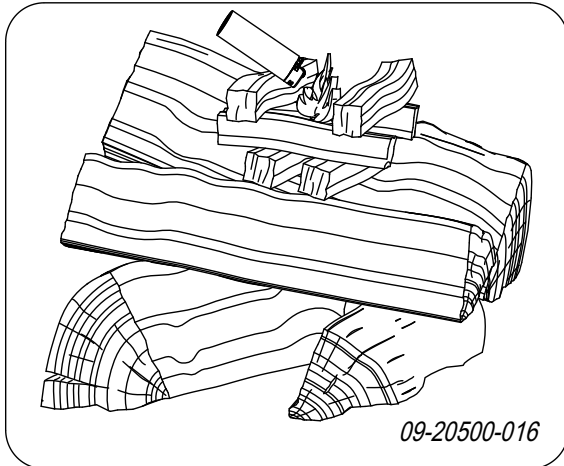
Lighting

You can check whether the flue has sufficient draught by lighting a ball of paper above the baffle plate. A cold flue often has insufficient draught and consequently,

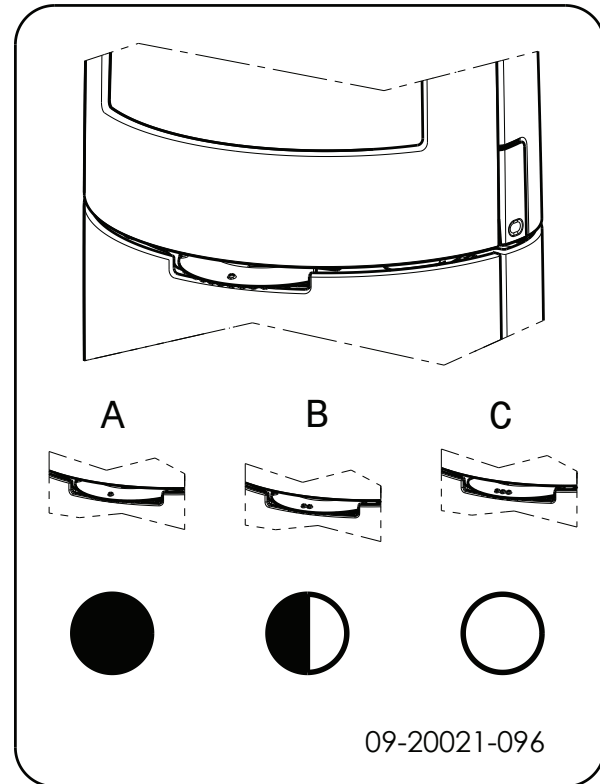


some smoke may escape into the room instead of up the chimney. You can avoid this problem by lighting the fire as described below.

1. Stack two layers of medium sized logs crosswise.
2. Stack two to three layers of kindling crosswise on top of the logs.
3. Place a firelighter between the bottom layer of kindling and light the firelighter according to the instructions on the packaging.



4. Close the appliance door and open the primary and secondary air inlets; see the following figure.
5. Allow the fire develop into a good blaze until there is a glowing bed of charcoal. You can then add fuel and adjust the appliance, see the chapter "Stoking with wood".



C:

- o o Primary air open (when lighting the stove)
- o o Secondary air open (glass wash)
- o Air for post-combustion open

B:

- o o Secondary air open (glass wash)
- o Air for post-combustion open

A:

- o Air for post-combustion open
(never close entirely for proper combustion)

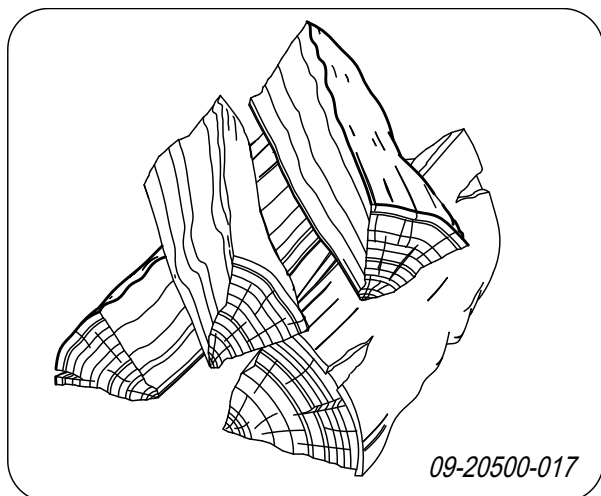
Burning wood

After you have followed the instructions for lighting:

1. Slowly open the door of the appliance.
2. Spread the charcoal evenly across the bottom of the stove base.
3. Stack a few logs on the charcoal.

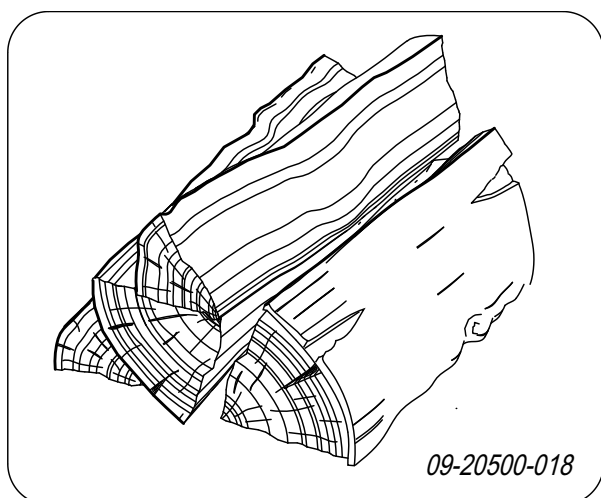


Open stacking




If the logs are stacked openly, the wood will burn quickly as the oxygen can reach each log easily. If you want to use the stove for a short while, make an open stack.

Compact stacking



If the logs are stacked tightly, the wood will burn more slowly as the oxygen can only reach some logs easily. If you want to burn wood for a longer period, make a compact stack.

4. Close the door of the appliance.
5. Close the primary air inlet and leave the secondary air inlet open.

 Fill the appliance to a maximum of a third.

Maximum amount of wood

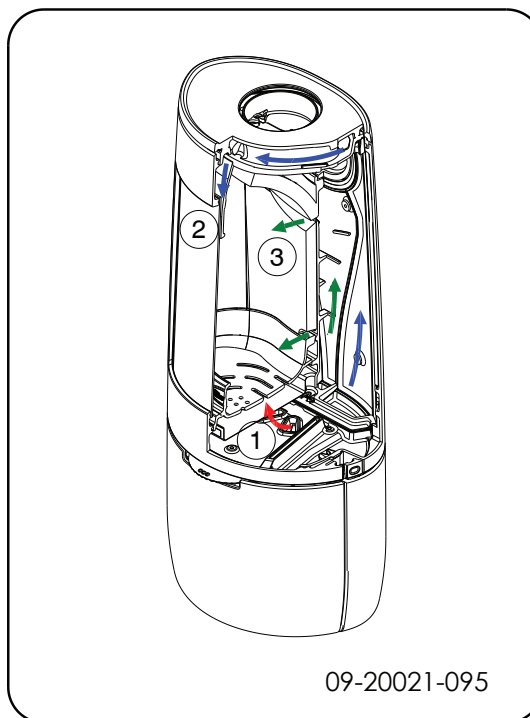
To stoke continuously at the rated power, wood must be added every 45 minutes. If you use a smaller amount of wood each time, you can add wood more often. Each stove is designed to work with a specific maximum amount of wood. If you use a larger quantity of wood, the heat output increases: As a result, the hearth can become overloaded and parts can be damaged.

Permitted maximum quantity of fuel for wood with a moisture percentage of 15%:

BOLD 7 KW has maximum filling of 1.5 kg wood per 45 minutes. Do not fill the combustion chamber more than one third full, and never stack wood above the openings for secondary air.

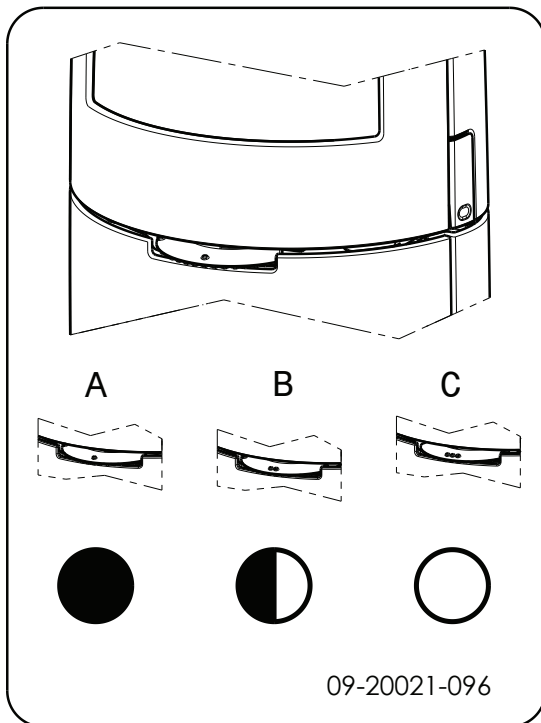
Controlling combustion air

The appliance has various features for air control; see next figure.



The appliance has one air slide that regulates both the primary air and the secondary air inlet. If the air slide is in position 3, the primary and the secondary air inlet is open. As the air slide is further closed, the primary air inlet and then the secondary air inlet is closed. If the air slide is completely closed in position 1, a small air

vent remains open to allow for post-combustion under the baffle plate.



The primary air inlet regulates the air under the grate (1).

The secondary air inlet regulates the air for the glass (air wash) (2).

The back wall has permanent vents (3) below the baffle plate that allow for post-combustion.

Advice

- ⚠ Never burn wood with an open door.
- ⚠ Regularly burn wood with intense roaring fires.

If you burn at a low setting frequently, tar and creosote may be deposited in the flue. Tar and creosote are highly combustible substances. Thicker layers of these substances may catch fire if the temperature in the flue increases suddenly. By allowing the fire to burn very intensely regularly, layers of tar and creosote will disappear.

Low intensity fires can also cause tar deposits on the stove window and door.

When the outside temperature is mild, it is better to burn wood intensely for a few hours instead of having a low intensity fire for a long period of time.

- ▶ Control the air supply using the air vent.

i The air inlet not only supplies air to the fire but to the glass as well, so that it does not quickly become dirty.

- ▶ Open the primary air inlet for the time being if the air supply by the secondary air inlet is inadequate or if you want to fan the fire.
- ▶ Topping up with a few logs regularly is better than adding many logs in one go.

Extinguishing the fire

Do not add fuel and just let the fire go out. If a fire is damped down by reducing the air supply, harmful substances will be released. For this reason, the fire should be allowed to go out naturally. Keep an eye on the fire until it has gone out. All air inlets can be closed once the fire has died completely.

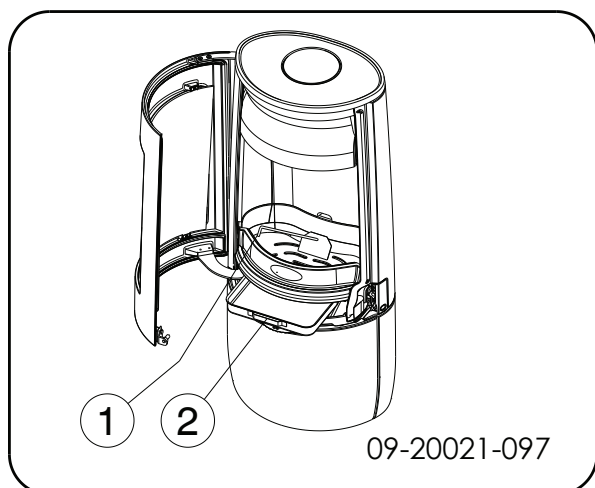
Removing ash

After wood has been burnt, a relatively small amount of ash remains. This ash bed is a good insulating layer for the stove base plate and improves combustion. It is a good idea to leave a thin layer of ash on the stove base plate.

The flow of air through the fire plate must not be obstructed, however, and no ash may be allowed to



accumulate behind a cast-iron inner plate. Remove the excess ash regularly.



1. Open the door of the appliance.
2. Use the scraper supplied to sweep the excess ash into the ash pan.
3. Using the glove supplied, remove the ash pan and empty it.
4. Replace the ash pan and close the door of the appliance.

Fog and mist

Fog and mist hinder the flow of flue gases through the flue. Smoke can blow back and cause a stench. If it is not strictly necessary, it is better not to use the stove in foggy and misty weather.

Resolving problems

Refer to the appendix "Diagnostic diagram" to resolve any problems in using the appliance.

Maintenance

Follow the maintenance instructions in this chapter to keep the appliance in good condition.

Flue

In many countries, you are required by law to have your chimney checked and maintained.

- ▶ At the start of the heating season: have the chimney swept by a recognised chimney sweep.

- ▶ During the heating season and after the chimney has not been used for a long time: have the chimney checked for soot.
- ▶ At the end of the heating season: close off the chimney and plug with newspaper.

Cleaning and other regularly maintenance

 Do not clean the appliance when it is still warm.

- ▶ Clean the exterior of the appliance with a dry lint-free cloth.


You can clean the appliance interior thoroughly at the end of the heating season:


- ▶ If necessary, first remove the fire-resistant inner plates. See the chapter "Installation" for instructions on removing and installing the inner plates.
- ▶ If necessary, clean the air supply ducts.
- ▶ Remove the baffle plate at the top of the appliance and clean it.


Checking fire-resistant inner plates

The fire-resistant inner plates are consumables that are subject to wear and tear. Vermiculite inner plates are fragile. Do not knock the inner plates with logs. Check the fire-resistant inner plates frequently and replace them when necessary.

- ▶ See the chapter "Installation" for instructions on removing and installing the inner plates.

 The insulating vermiculite or chamotte inner plates may develop hairline cracks, but this does not affect their performance adversely.



 Cast-iron inner plates last a long time if you remove frequently the ash that can accumulate behind them. If accumulated ash behind the cast-iron plate is not removed, the plate will no longer be able to dissipate the heat to the surroundings and this may cause the plate to warp or crack.

 Never use the appliance without the fire-resistant inner plates.



Cleaning the glass

Dirt clings less easily to well-cleaned glass. Proceed as follows:

1. Remove dust and loose soot with a dry cloth.
 2. Clean the glass with stove glass cleaner:
 - a. Apply stove glass cleaner to a kitchen sponge, rub down the entire glass surface and give the cleaning agent time to react.
 - b. Remove the dirt with a moist cloth or kitchen tissue.
 3. Clean the glass again with a normal glass cleaning product.
 4. Rub the glass clean with a dry cloth or kitchen tissue.
- ▶ Do not use abrasive or aggressive products to clean the glass.
 - ▶ Wear household gloves to protect your hands.
-  If the glass in the appliance is broken or cracked, it must be replaced before you can use appliance again.
-  Ensure that no stove glass cleaner runs between the glass and the cast-iron door.

Enamelled stove maintenance

Never clean the appliance while it is still hot. The most effective way to clean the enamelled surface of the stove is with a mild green soap and lukewarm water. Use as little water as possible, rub the surface dry and prevent the formation of rust. Wire wool or other abrasives should never be used. Never place a kettle directly onto an enamelled stove; use a stand to prevent damage. Attention: Do not allow aggressive acidic products to get onto enamelled components.

Lubrication

Although cast-iron is slightly self-lubricating, you will still need to lubricate moving parts frequently.

- ▶ Lubricate the moving parts (such as guide systems, hinge pins, latches and air slides) with heat resistant grease that is available in the specialist trade.

Touching up damaged paint


Small areas of damaged paint finish can be touched-up with a spray can of special heat-resistant paint, available from your supplier.

Touching up the enamelled surface


Enamelling is a process carried out by traditional methods, meaning that it is possible that small colour differences and damage may occur. The appliances undergo a visual inspection in the factory, that is to say, the inspector looks at the surface for a period of 10 seconds from a distance of 1 metre.

Any damage that does not stand out is regarded as OK. A special heat-resistant paint is supplied with the appliance to touch up any minor damage caused during transport.

Apply the heat-resistant paint in thin layers and leave to dry well before using the appliance.

- ▶ Some enamel colours are temperature-sensitive. It can happen that the colour changes during use. The original colour will return after the appliance has cooled down.
 - ▶ If enamelled surfaces become very hot, hairline cracks can occur. This is a normal phenomenon and has no impact on the functioning of the stove.
-  Ensure that the stove is not overburdened. If it does become overburdened then the surface gets very hot possibly resulting in lasting damage to the enamel.

Checking the seal

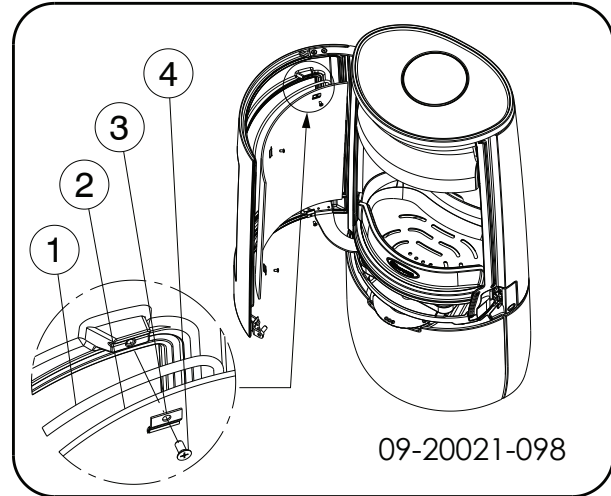
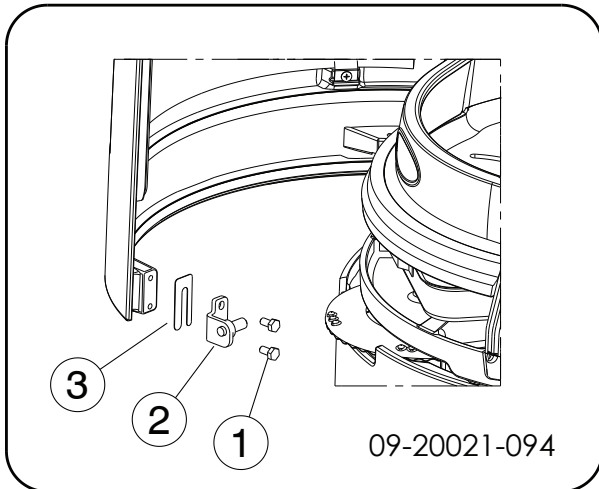
- ▶ Check whether the door sealing rope is still in good condition and works well. The sealing rope is subject to wear and will need to be replaced over time.
 - ▶ Check the appliance for air leaks. Close any chinks with stove sealant.
-  Allow the sealant to harden fully before lighting the appliance, as any moisture in the sealant will form bubbles, resulting in a new air leak.

Adjust door closing


Check if the door closes properly. If required, the closing of the door can be set looser or tighter by adjusting the distance between the locking cam and the door. Proceed as follows:



1. Open the door. The locking cam (2) is now freely accessible; see next figure.
2. Unscrew the two screws (1) with which the locking cam is attached.
3. By removing the packing plate (3) behind the locking cam (2), the door closes more tightly. If the door closes too tightly then insert an additional packing plate behind the locking cam.
4. Tighten the two screws and check the closing of the door once again.



Replacing the glass

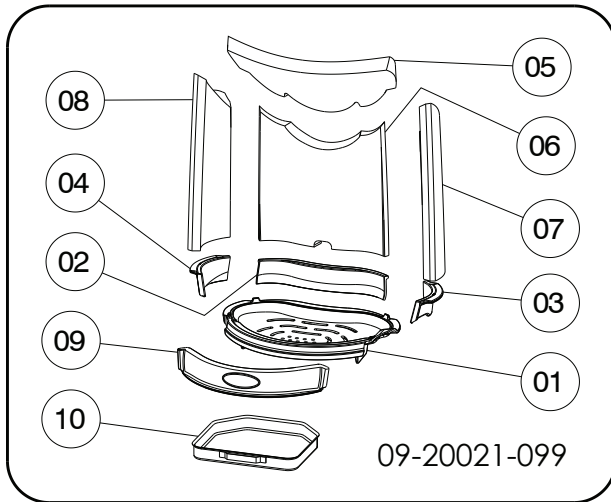
-  If the glass in the appliance is broken or cracked, it must be replaced before the stove is used again.

Proceed as follows:

1. Unscrew the four glass fixings with parts (3) and (4) and remove the glass (2), see following figure.
2. Check the glass seal and, if necessary, fit a new sealing rope.
3. Place the new glass in the groove and tighten the glass fixings.



BOLD spare parts



BOLD 300/400

Pos.	Part number	Description	Quantity
01	70.66559.021	fire compartment base	1
02	70.77467.021	fire basket rear	1
03	70.77466.021	fire basket right	1
04	70.77465.021	fire basket left	1
05	70.76191.000	baffle plate	1
06	70.77564.000	rear inner plate	1
07	70.77563.000	side inner plate right	1
08	70.77562.000	side inner plate left	1
09	70.77458.021	fire basket	1
10	70.05216.000	ash pan	1
11	70.26384.000	curved glass	1
12	70.26101.041	service kit glass fixing	1
13	70.79870.000	service kit cord 6 mm	1
14	70.79869.000	service kit cord 8 mm	1
15	70.79868.000	service kit self-adhesive tape	1
16	70.72629.000	service kit spring self-closing door	1
17	70.64315.000	service kit lock	1

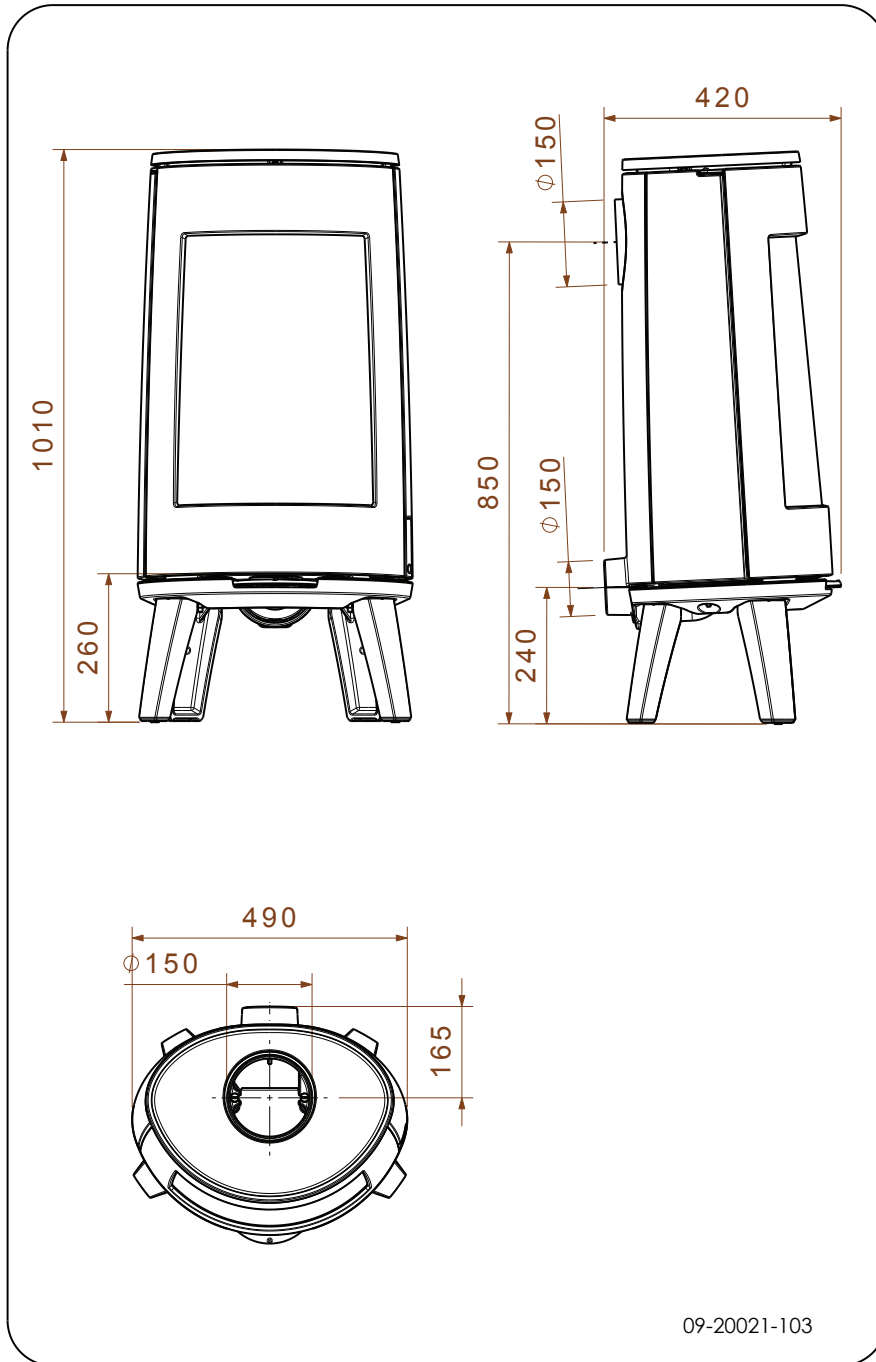
Appendix 1: Technical data

Model	BOLD 300/400
Nominal output	7 kW
Flue connection (diameter)	150 mm
Weight	130 kg - 145 kg
Recommended fuel	Wood
Fuel property, max. length	35 cm
Mass flow of flue gasses	5.6 g/s
Flue gas temperature measured in the measurement section	246 °C
Temperature measured at appliance exit	356 °C
Minimum draught	12 Pa
CO emission (13%O ₂)	0.10 %
NOx emission (13% O ₂)	90 mg/Nm ³
CnHm emission (13%O ₂)	102 mg/Nm ³
Particulate emission	22 mg/Nm ³
Particulate emission in accordance with NS3058-NS3059	2.64 g/kg
Efficiency	80 %



Appendix 2: Dimensions

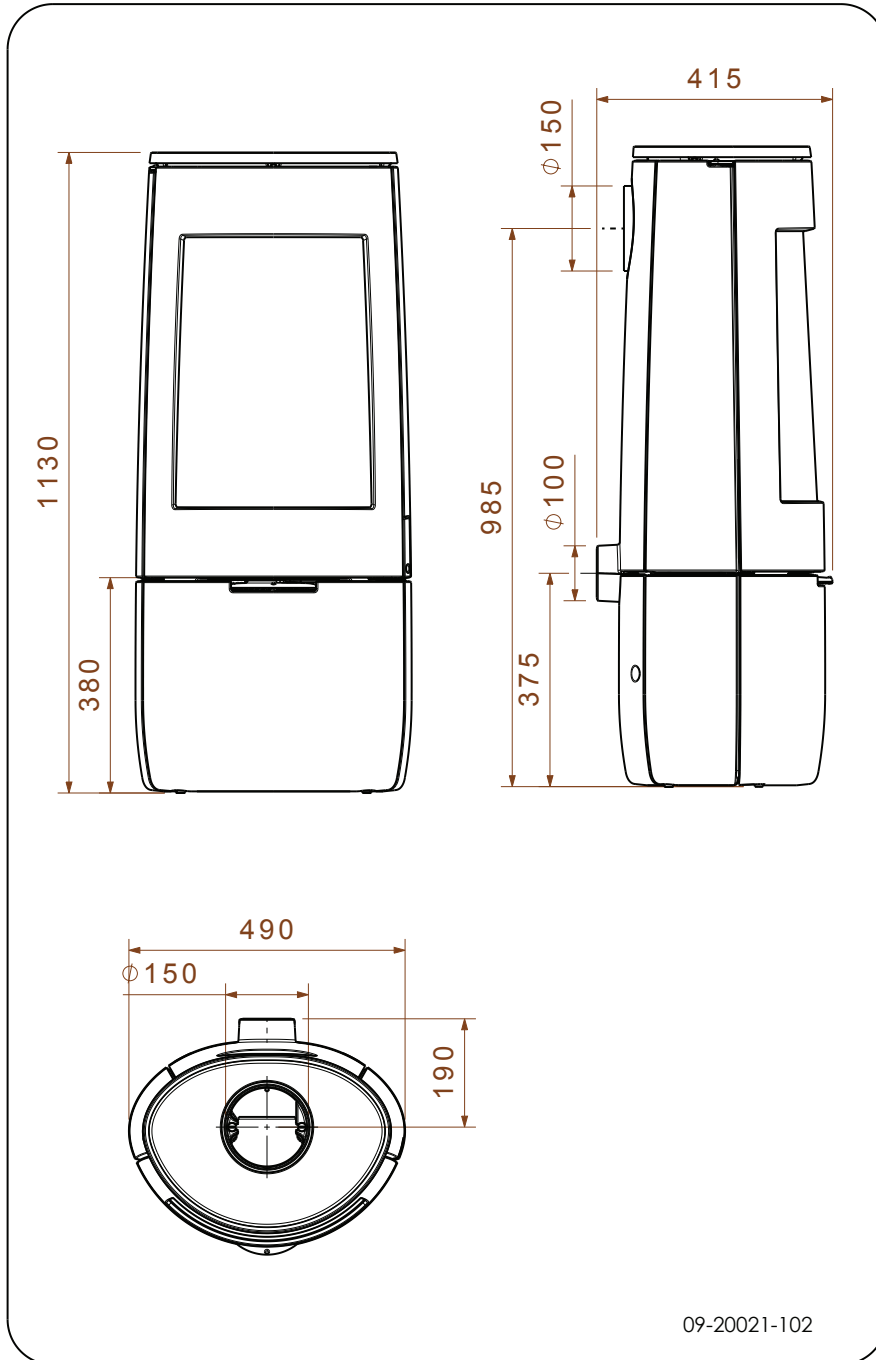
BOLD 300



English

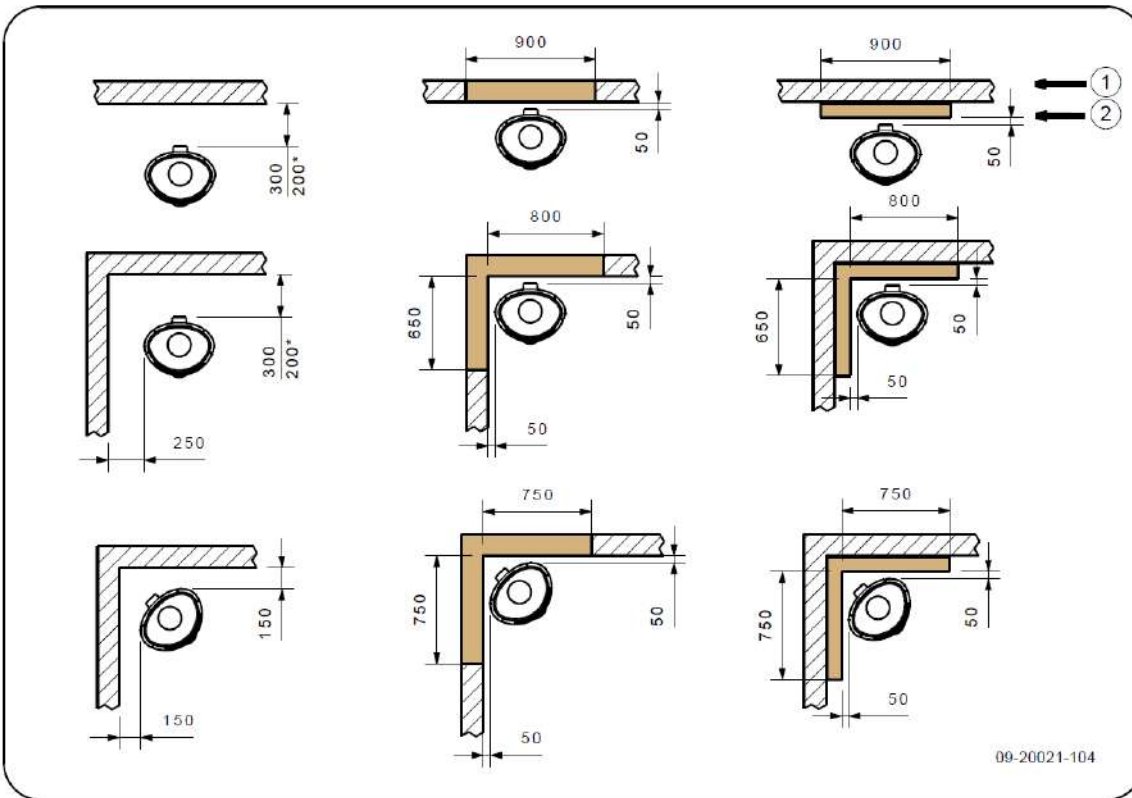


BOLD 400



Appendix 3: Distance from combustible material

BOLD 300/400 - Minimum distances in millimetres for version without heat shield



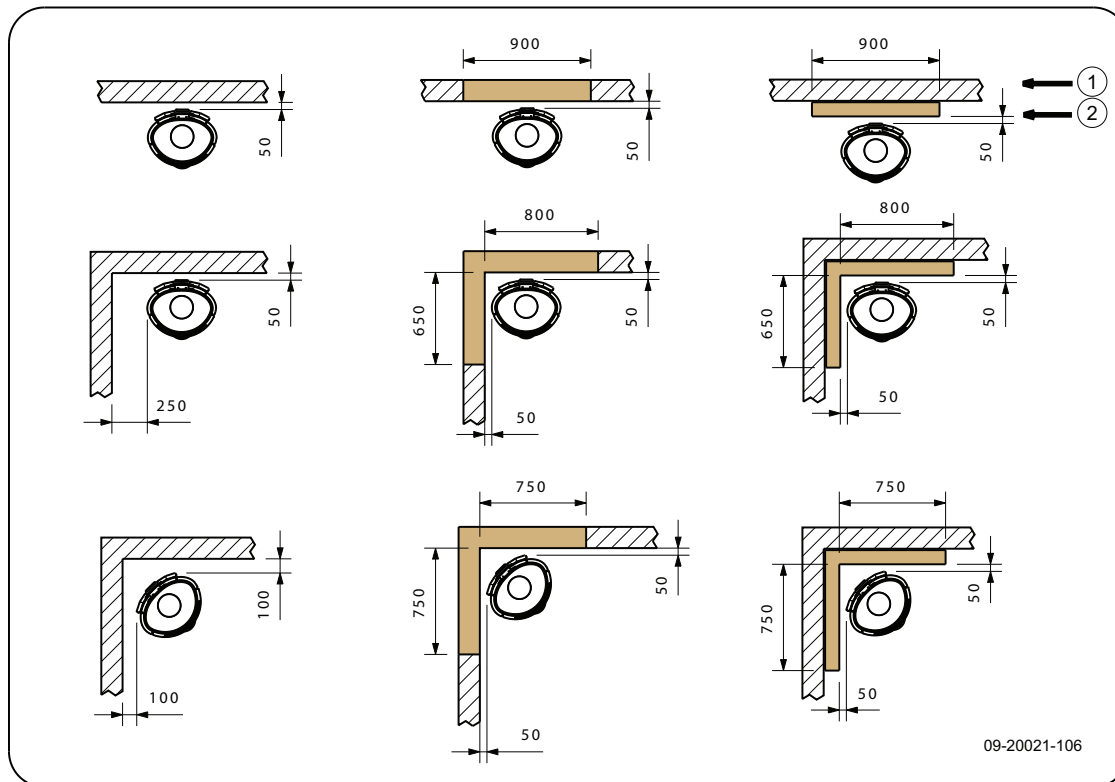
* with insulated stovepipe

1	Combustible material
2	Incombustible material, thickness 100 mm

⚠ Please note: In order to guarantee the supply of combustion air when there is no outside air supply connection, the distance from the connection collar for the outside air to the wall must be at least 20 mm.



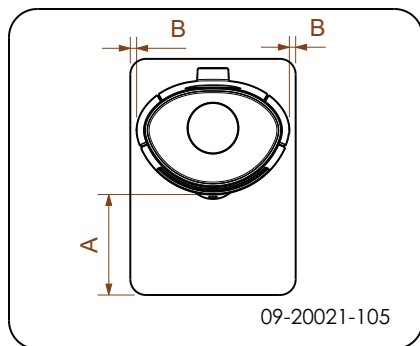
BOLD 300/400 - Minimum distances in millimetres for version with heat shield and insulated stovepipe



1	Combustible material
2	Incombustible material, thickness 100 mm

⚠ Please note: In order to guarantee the supply of combustion air when there is no outside air supply connection, the distance from the connection collar for the outside air to the wall must be at least 20 mm.

BOLD - Dimensions of fireproof floor plate



Minimum dimensions of fireproof floor plate

	A (mm)	B (mm)
Din 18891	500	300
Germany	500	300
Finland	400	100
Norway	300	5

Appendix 4: Diagnosis diagram

					Problem	
●					Wood will not stay lit	
	●				Gives off insufficient heat	
		●			Smoke emissions into the room when adding wood	
			●		Fire in appliance is too intense, is hard to adjust	
				●	Deposit on the glass	
					possible cause	possible solution
●	●	●		●	Insufficient draught	A cold flue usually fails to create sufficient draught. Follow the instructions for starting a fire in the 'Use' section; open a window.
●	●	●		●	Wood too damp	Use wood with no more than 20% moisture.
●	●	●		●	Logs too large	Use small pieces of kindling. Use split logs no larger than 30 cm in circumference.
●	●	●	●	●	Wood stacked incorrectly	Stack the logs in a way that allows adequate air flow between the logs (open stacking, see "Burning wood")
●	●	●		●	Flue does not work properly	Check whether the chimney meets the requirements: at least 4 metres high, correct diameter, well-insulated, smooth inside, not too many bends, no obstructions in chimney (bird's nest, too much soot deposit), hermetically tight (no chinks).
●	●	●		●	Chimney stack incorrect	Sufficiently high above the roof, no obstacles in the vicinity
●	●	●	●	●	Air inlets set incorrectly	Open the air inlets completely.
●	●	●		●	Appliance connected to the flue incorrectly	Connection should be hermetically tight.
●	●	●		●	Vacuum in area in which the appliance is installed	Switch off extraction systems.
●	●	●		●	Insufficient supply of fresh air	Provide an adequate air supply; if necessary use outside air connection.
●	●	●		●	Bad weather ? Inversion (reversed air flow in chimney because of a high outside temperature), extreme wind speeds	We recommend you don't use the appliance in the case of inversion. If required, install an extra hood on the flue to increase the draught.
		●			Draught in the living room	Avoid draught in the living room, do not place the appliance near a door or heating air ducts.
				●	Flames touch the glass	Make sure the wood is not positioned too close to the glass. Slide the primary air inlet cover closer to the "Closed" position.
			●		Appliance is leaking air	Check the door seals and appliance joints.

Index

A		D	
Adding wood		Controlling air supply	13
smoking appliance	24	Creosote	13
Adverse weather conditions, do not burn wood	14	D	
Aerating the fire	13	Damage	7
Air combustion control	12	Damp wood	10
Air control	12	Dimensions	19
Air inlets	11	Door	
Air leak	15	adjust	15
ash	13	closing	15
Ash pan		Locking cam	
open	14	packing plate	15
Ashes		opening	7
remove	13	sealing rope	15
B		Draught	18
Bearing capacity of floor	6	Drying wood	10
Burning	11	E	
adding fuel	11	Efficiency	4, 18
appliance is hard to adjust	24	Email	
fire is too intense	24	maintenance	15
insufficient heat	24	External air supply	
topping up fuel	13	connecting to	10
Burning wood		Extinguishing the fire	13
insufficient heat	14	F	
C		Fan	6
Cap on the flue	6	connecting outside air supply	9
Carpet	6	rule of thumb	6
Cast iron inner plates	8	Fan louvre	6
Chinks in appliance	15	Filling level of the appliance	12
Cleaning		Finishing coat, maintenance	15
appliance	14	Fire	
glass	15	extinguishing	13
Combustible material		kindle	
distance from	21	Lighting	10
Connecting		Fire-resistant inner plates	
dimensions	19	maintenance	14
Connecting outside air supply	9	remove	8
Connection collar for connection to chimney	8	Fire safety	
Connection to chimney		distance from combustible material	21
at the rear	8	floor	6
at the top	8	furniture	6
rear	8	walls	6
top	8	Fireproof inner plates	
		warning	10



Floor	
smooth	10
Floors	
bearing capacity	6
fire safety	6
Flue	
connecting to	10
connection diameter	18
height	6
maintenance	14
requirements	5
Flue cap	6
Flue gas	
temperature	4, 18
Flue gasses	
mass flow	18
Fog, do not burn wood	14
Fuel	
adding	12
necessary amount	14
suitable	10
topping up	13
unsuitable	10
wood	10

G

Glass	
cleaning	15
cracked	16
deposit	24
replacing	16
Glass damaged	16

H

Heat, insufficient	14, 24
Hinge	
adjust	15

I

Inner plate	
vermiculite	8
Inner plates, fire-resistant	
remove	8
Installing	
dimensions	19

K

Kindling	24
----------------	----

L

Lighting fire	10
Lubricant	15
Lubricate	15

M

Maintenance	
Clean appliance	14
cleaning the glass	15
email	15
Fire-resistant inner plates	14
flue	14
lubrication	15
sealing	15
Mist, do not burn wood	14

N

Nominal output	14, 18
----------------------	--------

O

Open	
ash pan	14
Opening	
door	7
Outside air supply	6, 9

P

Paint	
Smoke	
during first use	10
Particulate emission	18
Parts, removable	7
Positioning	
anti-slip	10
Preventing chimney fire	13
Primary air inlet	11

R

Removable parts	7
Remove	
fire-resistant inner plates	8
Removing ash	13
Replacing	
glass	16



S

Screens	
deposit	24
Sealing rope for door	15
Secondary air inlet	11
Smoke emissions into the room	5
Smoking appliance	24
Smooth floor	10
Softwood	10
Solving problems	14, 24
Stacking logs	12
Storing wood	10
Stove glass cleaner	15
Suitable fuel	10
Sweeping flue	14

T

Tar	13
Temperature	18
Topping up with fuel	13

U

Unsuitable fuel	10
-----------------------	----

V

Vermiculite	
fire-resistant	8
Vermiculite inner plates	8

W

Walls	
fire safety	6
Warning	
chimney fire	10, 13
chimney fires	5
fireproof inner plates	10
flammable materials	5
glass broken or cracked	5, 15-16
hot surface	5
placing a load on door	5
requirements	5
stove glass cleaner	15
terms and conditions for insurance	5
ventilation	5-6
Weight	18
Wood	
damp	10

drying	10
right sort	10
storing	10
will not stay lit	24

Innhold

Innledning	2
Ytelseserklæring	3
Sikkerhet	5
Monteringsvilkår	5
Generelt	5
Skorstein	5
Ventilasjon av rommet	6
Gulv og vegger	6
Produktbeskrivelse	7
Montering	7
Generelle forberedelser	7
Forberede tilknytning til skorstein	8
Forberede direkte tilførsel av forbrenningsluft ..	9
Plassering og tilkobling	9
Bruk	10
Første gangs bruk	10
Brensel	10
Opptenning	10
Fyring med ved	11
Maksimal vedmengde.	12
Regulering av forbrenningsluft	12
Bålet slukker	13
Tømme aske	13
Tåke	14
Eventuelle problemer	14
Vedlikehold	14
Skorstein	14
Rengjøring og annet regelmessig vedlikehold ..	14
Utskiftingsdeler deler BOLD	16
Vedlegg 1: Tekniske data	17
Vedlegg 2: Mål	18
Vedlegg 3: Avstand til brennbart materiale ..	20
Vedlegg 4: Diagnoseskjema	23
Indeks	24

Innledning

Kjære bruker,

Ved å kjøpe dette ildstedet fra DOVRE har du valgt et kvalitetsprodukt. Dette produktet inngår i en ny generasjon med energieffektive og miljøvennlige ildsteder. Disse ildstedene gjør optimal bruk av både konveksjonsvarmen og strålingsvarmen.

- ▶ Ditt DOVRE ildsted er produsert ved hjelp av de mest moderne produksjonsmetoder. Hvis det skulle være noe i veien med ditt ildsted, kan du alltid få hjelp av DOVRE service.
- ▶ Ildstedet må ikke modifiseres; bruk kun originale deler.
- ▶ Ildstedet er beregnet på installasjon i en stue. Ildstedet må tilkobles til en skorstein som fungerer godt.
- ▶ Vi anbefaler at ildstedet tilsluttes av en autorisert installatør.
- ▶ DOVRE kan ikke holdes ansvarlig for problemer eller skade som skyldes feil montering.
- ▶ Ved montering og bruk må man følge sikkerhetsforskriftene som beskrives nedenfor.

I denne anvisningen leser du hvordan du monterer, bruker og vedlikeholder ditt DOVRE ildsted. Hvis du ønsker mer informasjon eller tekniske data eller hvis det oppstår problemer under monteringen, bør du først ta kontakt med leverandøren.

© 2016 DOVRE NV



Ytelseserklæring

I samsvar med byggevareforordning 305/2011

Nr. 051-CPR-2015

1. Unik identifikasjonskode for varetypen:

BOLD 300 -400 / 7kW

2. Type-, parti- eller serienummer, eller annen identifiseringsmåte for byggeproduktet, som foreskrevet i paragraf 11, fjerde ledd:

Unikt serienummeret.

3. Tilsiktet bruk av byggeproduktet, i overensstemmelse med den gjeldende harmoniserte tekniske spesifikasjonen, slik det er bestemt av produsenten:

Ildsted fyrt med fast brensel uten produksjon av varmtvann i henhold til EN 13240.

4. Navn, registrert handelsnavn eller registrert handelsmerke og kontaktadresse til produsenten, som foreskrevet i paragraf 11, femte ledd:

Dovre N.V. Nijverheidsstraat 18 2381 Weelde Belgium.

5. Hvis aktuelt, navn og kontaktadresse til fullmaktshaver hvis mandat omfatter de oppgaver nevnt i paragraf 12, andre ledd:

-

6. Systemet eller systemene for bedømmelse og verifisering av prestasjonsbestandigheten til byggeproduktet, nevnt i vedlegg V:

System 3

7. Hvis ytelseserklæringen gjelder et byggeprodukt som faller under den harmoniserte normen:

Instansen KVBG, registrert under nummer 2013, har under engasjement utført en typegodkjenning under system 3 og har levert testrapport nr. H2015/0078.

8. Hvis ytelseserklæringen gjelder et byggeprodukt som det er avgitt en europeisk teknisk bedømmelse av:

-

9. Angitt prestasjon:

Den harmoniserte normen	EN 13240:2001/A2 ;2004/AC :2007
Grunnleggende karakteristikker	Prestasjoner Ved
Brannsikkerhet	
Ildbestandighet	A1
Avstand til brennbart materiale	Minimal avstand i mm Bakside: 300 Side: 250
Risiko for utfallende glødende deler	Oppfyller kravet
Utslipp av forbrenningsprodukter	CO: 0,10 % (13 % O ₂)
Overflatetemperatur	Oppfyller kravet
Elektrisk sikkerhet	-
Lett å rengjøre	Oppfyller kravet
Maksimalt arbeidstrykk	-
Røykgasstemperatur ved nominell effekt	246 °C
Mekanisk motstand (båret vekt av skorstein)	Ikke bestemt
Nominell effekt	7 kW
Utnyttelse	80 %

10. Prestasjonene til produktet som er beskrevet i punkt 1 og 2 oppfyller kravene til prestasjonene i punkt 9.

Denne ytelseserklæringen gis under det eksklusive ansvaret til fabrikanten meldt i punkt 4:

T. Gehem



Tom Gehem
CEO

01/10/2013 Weelde

På grunn av fortløpende produktutvikling forbeholder vi oss retten til å endre spesifikasjonene i denne brosjyren uten forutgående kunngjøring.

DOVRE N.V.

Nijverheidsstraat 18 Tlf.: +32 (0) 14 65 91 91

B-2381 Weelde Faks: +32 (0) 14 65 90 09

Belgia E-post : info@dovre.be



Sikkerhet

-  NB! Alle sikkerhetsregler må følges nøye.
-  Les nøye anvisningene om montering, bruk og vedlikehold som medleveres til ildstedet, før du tar ildstedet i bruk.
-  Ildstedet må monteres i samsvar med reglene som gjelder i ditt land.
-  Alle lokale forskrifter og bestemmelser i nasjonale og europeiske standarder må overholdes ved montering av ildstedet.
-  Vi anbefaler at ildstedet monteres av en autorisert installatør. Denne kjenner til de gjeldende bestemmelsene og forskriftene.
-  Ildstedet er konstruert for oppvarming. Alle overflater, også glasset og tilkoblingsrøret, kan bli svært varme (over 100°C)! Bruk et kaldhåndtak eller en varmebestandig hanske.
-  Sørg for tilstrekkelig avskjerming hvis små barn, funksjonshemmede, eldre eller dyr befinner seg i nærheten av ildstedet.
-  Sikkerhetsavstandene til brennbart materiale må nøye overholdes.
-  Legg ikke gardiner, klær, klesvask eller annet brennbart materiale på eller i nærheten av ildstedet.
-  Bruk ikke lett antenkelige eller eksplosive stoffer i nærheten av ildstedet mens det er i bruk.
-  Forebygg pipebrann ved å få utført regelmessig feiing av skorsteinen. Fyr aldri mens ildstedets dør er åpen.
-  Ved pipebrann: steng ildstedets luftregulatorer og tilkall brannvesenet.
-  Hvis ildstedets glass er knust eller sprukket, må glasset skiftes før ildstedet brukes igjen.
-  Ikke bruk makt på døren, unngå at barn trekker i den åpne døren, sitt eller stå aldri på den åpne døren, og plasser aldri tunge gjenstander på den.
-  Sørg for at det er tilstrekkelig ventilasjon i rommet hvor ildstedet står. Ved utilstrekkelig ventilasjon blir forbrenningen ufullstendig, slik

at det kan komme giftige gasser inn i rommet. Se kapitlet "Monteringsvilkår" for mer informasjon om ventilasjon.


Monteringsvilkår

Generelt


- ▶ Ildstedet må tilkobles til en skorstein som fungerer godt.
- ▶ For tilkoblingsmålene: se vedlegget "Tekniske data".
- ▶ Forhør deg med brannvesenet og/eller forsikringsselskapet om eventuelle spesifikke krav og forskrifter.

Skorstein

Skorsteinen er nødvendig for:


- ▶ Fjerning av røykgassene ved naturlig trekk.
 -  Den varme luften i skorsteinen er lettere enn uteluften og vil derfor stige.
- ▶ Inntak av luft som er nødvendig for forbrenningen av brenselet i ildstedet.

En skorstein som ikke fungerer godt kan forårsake røyk i rommet når døren åpnes. Skade på grunn av tilbakeslag av røyk dekkes ikke av garantien.

-  Ikke tilknytt flere ildsteder (f.eks. sentralfyrkjele) på den samme skorsteinen, med mindre lokale eller nasjonale forskrifter tillater det. Hvis to ildsteder skal tilknyttes må det være en høydeforskjell på minimum 200 mm mellom dem.

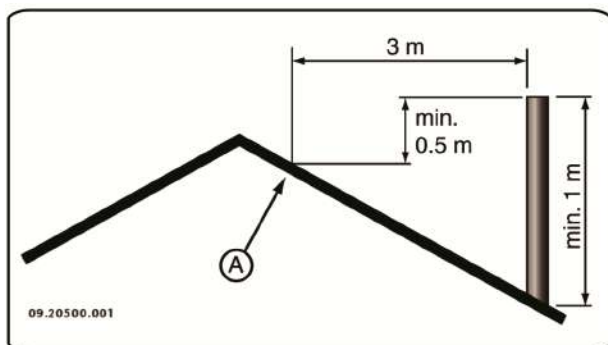
Rådfør deg med din installatør vedrørende råd om skorsteinen. Se den europeiske standarden EN13384 for riktig beregning av skorsteinen.

Skorsteinen må oppfylle følgende **krav**:

- ▶ Skorsteinen må være laget av ildfast materiale, helst keramikk eller rustfritt stål.
- ▶ Skorsteinen må være lufttett, godt feid og ha tilstrekkelig trekk.
 -  15 - 20 Pa trekk/undertrykk ved normal belastning er ideelt.



- ▶ Skorsteinen må være mest mulig vertikal, fra ildstedets røykuttak. Bend og horisontale deler forstyrrer utslippet av røykgasser og kan føre til opphoping av sot.
 - ▶ Den innvendige diameteren må ikke være for stor, for å unngå at røykgassene blir for mye avkjølt slik at trekken avtar.
 - ▶ Skorsteinen bør helst ha samme diameter som røykrørstussen.
- i** For nominelle diameteren : se vedlegget "Tekniske data". Hvis skorsteinen er godt isolert, kan diameteren eventuelt være større (maksimalt det doble tverrsnittet av røykrørstussen).
- ▶ Tverrsnittet på skorsteinen må være konstant. Videre deler og (særlig) innsnevring forstyrrer utslippet av røykgasser.
 - ▶ Ved bruk av pipehatt/røykhatt: Pass på at pipehatten ikke innsnevrer skorsteinens utløp og at pipehatten ikke hindrer røykgassene.
 - ▶ Skorsteinens munning må befinne seg i en sone som ikke forstyrres av bygninger, trær eller andre hindringer i nærheten.
 - ▶ Den delen av skorsteinen som befinner seg utenfor huset må være isolert.
 - ▶ Skorsteinen må ha en høyde på minst 4 meter.
 - ▶ En tommelfingerregel: 60 cm over takets høyeste punkt.
 - ▶ Hvis takets høyeste punkt befinner seg mer enn 3 meter fra skorsteinen: følg målene som vises i neste figur. A = takets høyeste punkt innenfor en avstand på 3 meter.



Ventilasjon av rommet

Ildstedet trenger luft (oksygen) for å oppnå god forbrenning. Luften tilføres fra rommet hvor ildstedet står gjennom luftregulatorer.

- ⚠ Ved utilstrekkelig ventilasjon blir forbrenningen ufullstendig, slik at det kan komme giftige gasser inn i rommet.

Tommelfingerregelen er at lufttilførselen skal være $5,5 \text{ cm}^2/\text{kW}$. Det kreves ekstra ventilasjon hvis:

- ▶ Ildstedet står i et godt isolert rom.
- ▶ I rom med mekanisk ventilasjon, f.eks. sentralt avtrekkssystem eller avtrekksvifte i et åpent kjøkken.

Det oppnås ekstra ventilasjon ved å montere en ventilasjonsrist i ytterveggen.

Sørg for at annet utstyr som bruker luft (f.eks. tørketrommel, et annet ildsted eller baderomsvifte) har egen tilknytning til friskluft, eller er slått av når du fyrer med ildstedet.





- i** Ildstedet kan også tilkobles frisklufttilførsel. Et tilkoblingssett for dette medfølger. Ved bruk av et slikt sett er ekstra ventilasjon ikke nødvendig.

Gulv og vegger

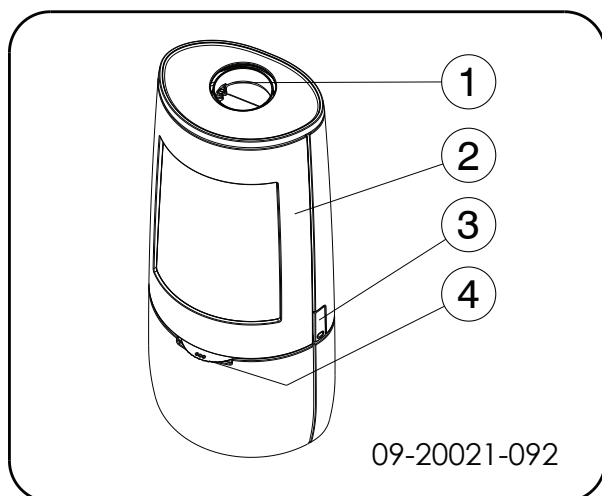
Gulvet som ildstedet monteres på må ha tilstrekkelig bæreevne. For ildstedets vekt: se vedlegget "Tekniske data".

- ⚠ Beskytt et brennbart gulv med en brannsikker gulvplate mot varmemestråling. Se vedlegget "Avstand til brennbart materiale".
- ⚠ Fjern brennbart materiale som linoleum, teppe osv. under den brannsikre gulvplaten.
- ⚠ Sørg for tilstrekkelig avstand mellom ildstedet og brennbart materiale som f.eks. trevegger og møbler.
- ⚠ Tilkoblingsrøret utstråler også varme. Sørg for tilstrekkelig avstand og avskjerming mellom tilkoblingsrøret og brennbare materialer. Tommelfingerregelen for et enkeltveggert rør er en avstand på tre ganger diameteren. Hvis det

er en kledning rundt røret, er en avstand som tilsvarer diameteren tillatt.

-  Et teppe må ligge minimal 80 cm fra ilden.
-  Beskytt et brennbart gulv foran ildstedet med en brannsikker gulvplate mot aske som kan falle ut av ildstedet. Gulvplaten må oppfylle den nasjonale standarden.
-  For målene til den ikke-brennbare gulvplaten: se vedlegget: se vedlegget "Avstand til brennbare materialer".
-  For andre krav i forbindelse med brannsikkerhet: se vedlegget "Avstand til brennbare materialer".

Produktbeskrivelse






1. Rørstusse
2. Dør
3. Lukkemekanisme
4. Luftventil

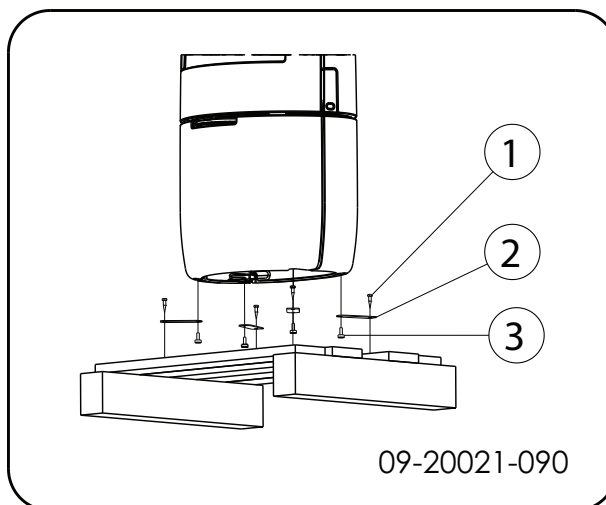
Dørlukker

Ildstedet leveres med montert dørhendel (4). Døren åpnes ved å trykke dørhendelen inn. Dørhendelen kan bli meget varm under bruk, og derfor følger det med en hanske som kan brukes til beskyttelse av hånden.

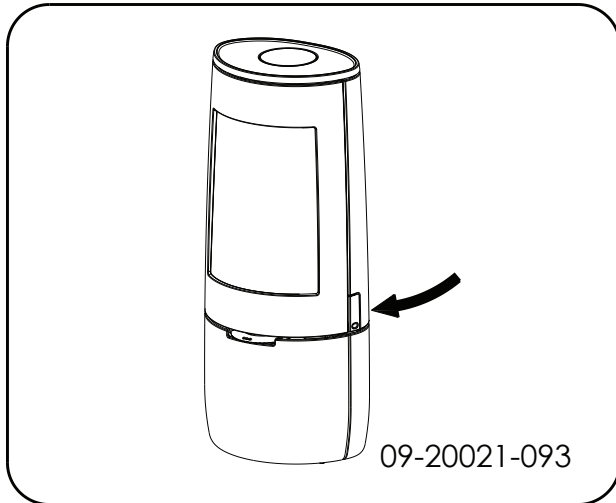
Montering

Generelle forberedelser

- ▶ Kontroller ildstedet på (transport)skade og eventuelle mangler umiddelbart etter at det er levert. Ildstedet er montert på undersiden til pallen.
-  Hvis du konstaterer (transport)skade eller mangler, må du ikke ta ildstedet i bruk men varsle leverandøren.
- ▶ Fjern de demonterbare delene (indre brennplater, bunnrist, topplate og askeskuff) fra ildstedet før du monterer ildstedet.
-  Ved å fjerne de demonterbare delene, blir det lettere å flytte ildstedet og unngå skader.
-  Pass på deres opprinnelige posisjon når du fjerner demonterbare deler, slik at de kan monteres på riktig sted senere.



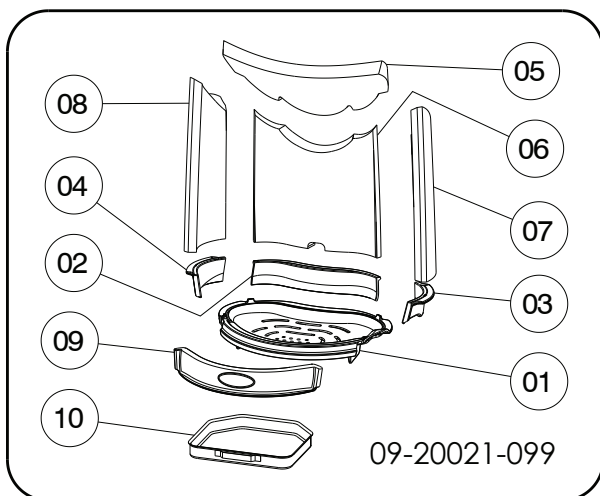
1. Ta ildstedet av pallen ved å fjerne boltene (1).
2. Fjern traversene (2) ved å skru ut justeringsbeinene (3).
3. Monter justeringsbeinene (3) igjen.
4. Åpne døren; se neste figur.



5. Fjern de indre brennplatene; se neste figur.
 - a. Fjern først hvelvplaten (05).
 - b. Fjern brennplatene til høyre (07) og venstre (08).
 - c. Fjern brennplaten bak (06).
 - d. Fjern kubbestopperen på forsiden (09).
 - e. Fjern kubbestopperene til venstre (04) og høyre (03).
 - f. Fjern kubbestopperen på baksiden (02).
 - g. Fjern risten (01) og askeskuffen (10).



Ildfaste indre brennplater av vermiculitt har lav vekt og er som regel okerfarget ved levering. De isolerer brennkammeret slik at forbrenningen blir bedre.



Løse innvendige deler

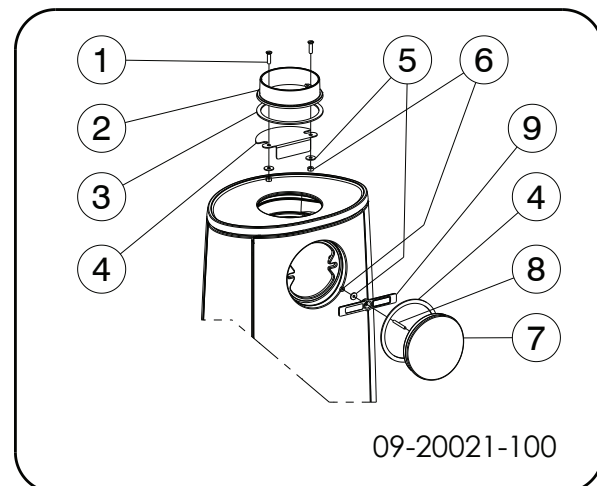
- 01 brenselrist
- 02 kubbestopper bak
- 03 kubbestopper høyre
- 04 kubbestopper venstre
- 05 hvelvplate
- 06 brennplater bak
- 07 brennplate høyre
- 08 brennplate venstre
- 09 kubbestopper foran
- 10 askeskuff

Forberede tilknytning til skorstein

Ved tilkobling av ildstedet til en skorstein kan man velge tilkobling på ildstedets **topp** eller **bakside**.

Tilkobling til toppen

Ildstedet leveres standard med rørstussen montert for tilkobling på toppen, se neste figur.




Tilkobling på baksiden

For tilkobling til baksiden må rørstussens posisjon endres. Rørstussen er festet med 2 M8-muttere (13 mm nøkkel). Gå fram slik:


Demontering (forrige tegning)

1. Fjern hvelvplaten.
2. Demonter blindlokket (7) fra bakveggen, ved å løsne mutteren (6) og fjerne klembøylen (9).
3. Fjern blindlokket (7) og tettingen (8).

 Kontroller om tetningsbåndet på kontaktflaten er uten skader. Skift tetningsbåndet hvis det er skadet.

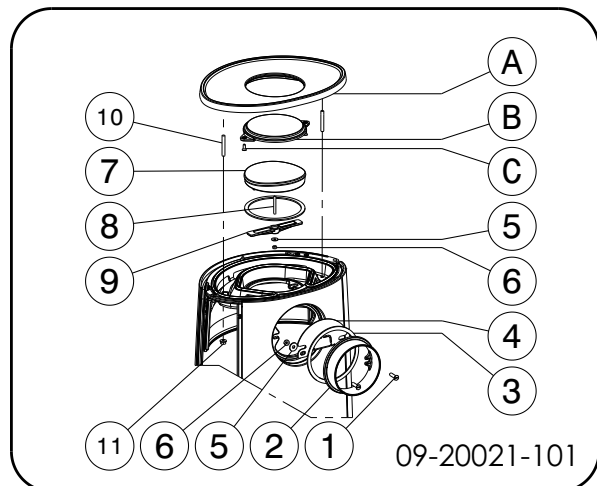
4. Demonter rørstussen (2) ved å løsne boltene (1).

5. Fjern rørstussen (2), tettingen (3) og festematerialene (1, 5, 6).

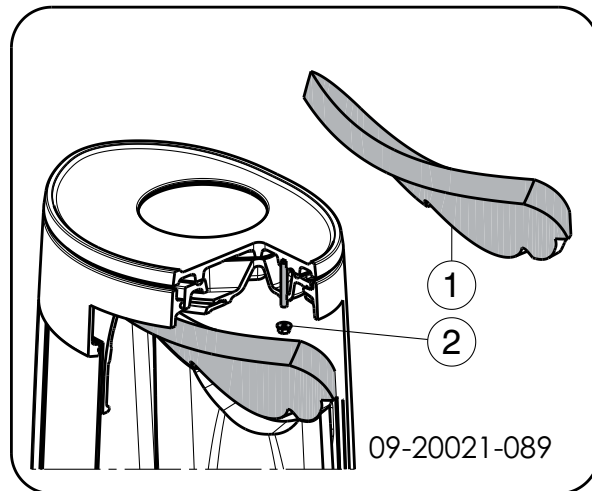
 Kontroller om tetningsbåndet på kontaktflaten er uten skader. Skift tetningsbåndet hvis det er skadet.

6. Fjern bremseplaten (4).

Montering (se etterfølgende tegning)



1. Fjern topplaten (A). Fjern for dette først de to mutterne (11).
2. Monter det medsendte pyntelokket (B) med de tilhørende festematerialene (C).
3. Monter røykrøstussen (2) og tetningen (3) og bremseplaten (4) med festematerialene (1, 5, 6) til bakveggen.
4. Monter blindlokket (7) og tettingen (8) med festematerialene (9, 5, 6).
5. Plasser topplaten (A) med det monterte pyntelokket (B) på ildstedet og pass på posisjoneringstappene.



6. Sett på plass topplaten igjen og skru fast denne ved hjelp av mutterne (2).
7. Sett hvelvplaten (1) på plass.

Forberede direkte tilførsel av forbrenningsluft

Hvis ildstedet monteres i et rom med utilstrekkelig ventilasjon, kan du montere tilkoblingssettet for frisklufttilførsel på ildstedet.

Lufttilførselsrøret har en diameter på 100 mm. Hvis det brukes et glatt rør kan dette ha en lengde på maks. 12 meter. Hvis det brukes deler som bend o.l. skal det trekkes fra 1 meter fra den maksimale lengden (12 meter) for hvert bend o.l.

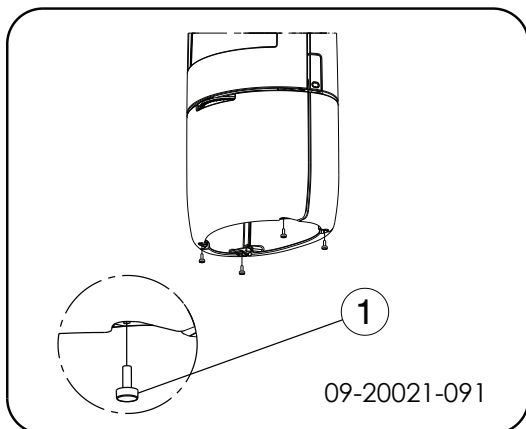
Frisklufttilførsel gjennom vegg

1. Lag et tilkoblingshull i vegg (se vedlegget, "Mål", for riktig posisjon for tilkoblingshull).
2. Lufttilførselsrøret skal tilkobles lufttett til vegg.

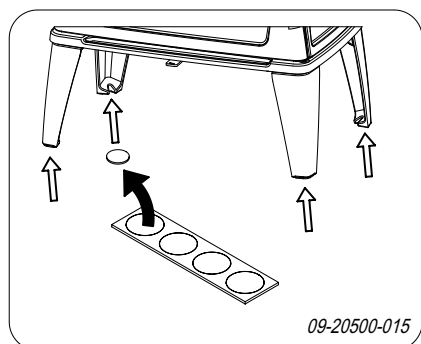
Plassering og tilkobling

1. Sett ildstedet på riktig sted, jevnt og i vater. Ildstedet har justeringsben som allerede er montert til ildstedet eller leveres løse. Bruk disse justeringsbena slik at ildstedet kan justeres helt i vater.






2. Hvis ildstedet står på et glatt underlag, kan du plassere de fire antiskliputene under justeringsbeinene for å unngå at ildstedet forskyves, se neste bilde.



3. Koble ildstedet hermetisk tett på skorsteinen.
 4. Ved utelufttilførsel: Tilførselskanalen kobles til stussen for uteluft som er montert til ildstedet.
 5. Sett alle delene som er demontert tilbake på riktig sted i ildstedet.

 Ildstedet må aldri brukes uten de indre brennplatene.

Ildstedet kan nå tas i bruk.

Bruk

Første gangs bruk

Fyr godt i noen timer første gang du bruker ildstedet. Det sørger for at den varmebestandige lakken herder. Det kan oppstå litt røyk og lukt under denne prosessen. Luft eventuelt rommet hvor ildstedet står ved å åpne vinduer og dører en liten stund.

Brensel

Dette ildstedet er kun egnet til fyring med naturlig ved; kappet og kløyvd og tilstrekkelig tørt.

Bruk ikke annen brensel, for det kan føre til alvorlig skade på ildstedet.

Det er ikke tillatt å bruke følgende brensel fordi det forurensar miljøet, og fordi det i høy grad forurensar ildstedet og skorsteinen slik at det kan oppstå pipebrann:

- ▶ Behandlet tre, f.eks. rivningsvirke, malt virke, impregnert tre, kryssfiner og sponplater.
- ▶ Plastikk, papiravfall og husholdningsavfall.

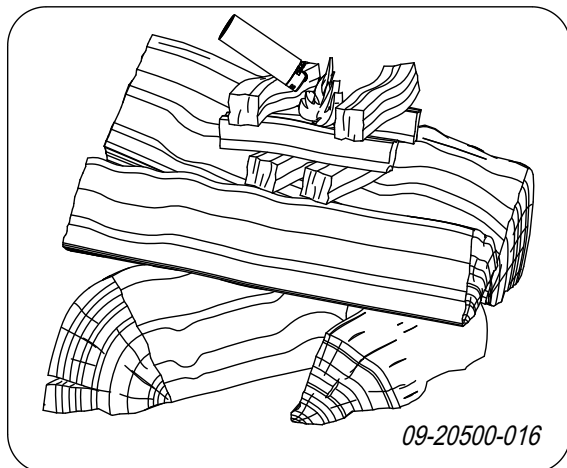
Ved

- ▶ Bruk helst hard løvved som eik, bøk, bjørk og frukttrær. Slik ved brenner langsomt og med rolige flammer. Bartrær har høyere innhold av sevj, brenner raskere og gir mer gnister.
- ▶ Bruk tørt ved med et vanninnhold på maks. 20 %. Det betyr at veden må ha tørket i minst 2 år. Ved med et vanninnhold på 20 % gir 4,2 kWh per kg ved. Ved med et vanninnhold på 15 % gir 4,4 kWh per kg ved. Nykappet ved har et vanninnhold på 60 % og gir kun 1,6 kWh per kg ved.
- ▶ Sag veden i passende lengder og kløyv veden mens den er fersk. Fersk ved er lettere å kløyve og tørker bedre. Veden skal lagres under et tak slik at vinden får fritt spill.
- ▶ Ikke bruk rå ved. Rå ved gir ikke varme fordi all energien brukes til fordamping av vannet. Det gir mye røyk og sotbelegg på ildstedets dør og i skorsteinen. Vanddampen som kondenserer i ildstedet kan lekke ut gjennom sprekker slik at det oppstår svarte flekker på gulvet. Vanddampen kan også kondensere i skorsteinen slik at det dannes kreosot. Kreosot er meget brennbart og kan føre til pipebrann.

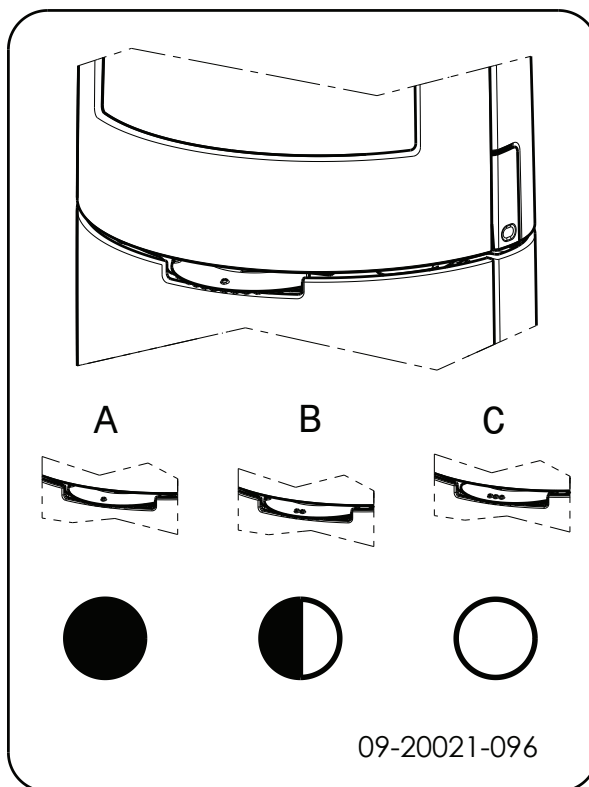
Opptenning

Du kan kontrollere om det er tilstrekkelig trekk i skorsteinen ved å tenne på litt sammenkrøllet avisapir over hvelvplaten. Når skorsteinen er kald er det ofte for dårlig trekk i skorsteinen slik at det kommer røyk inn i rommet. Ved opptenning som beskrevet nedenfor unngår du dette problemet.

1. Legg to lag med middels stor ved i kryss over hverandre.
2. På toppen av veden legges to lag med opptenningsved i kryss over hverandre.
3. Legg en opptenningsbrikett i det underste laget opptenningsved og tenn på opptenningsbriketten iht. anvisningen på emballasjen.



4. Lukk ildstedets dør og åpne ildstedets primære luftregulator og sekundære luftregulator; se neste figur.
5. La opptenningsbålet brenne godt til det oppstår et glødende lag med trekull. Deretter kan du legge i neste påfylling og regulere ildstedet; se avsnittet "Fyring med ved".



C:

- o o o Primærluft åpen (ved opptenning)
- o o Sekundærluft åpen (glasspyling)
- o Luft for etterbrenning åpen

B:

- o o Sekundærluft åpen (glasspyling)
- o Luft for etterbrenning åpen

A:

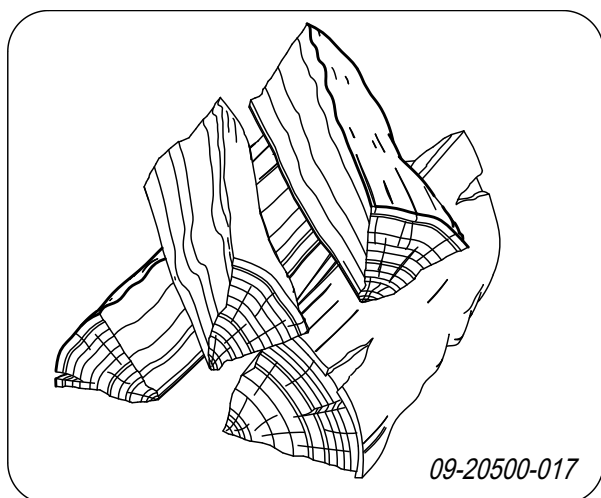
- o Luft for etterbrenning åpen
(lukkes aldri helt, for å oppnå god forbrenning)

Fyring med ved

Etter at du har fulgt anvisningene for opptenning:

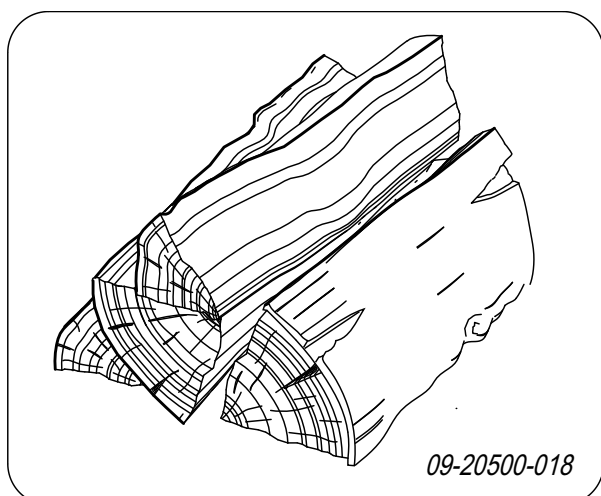
1. Åpne langsomt ildstedets dør.
2. Fordel trekullet jevnt over brenselristen.
3. Legg noen vedskier på trekullet.

Løst ilegg




Ved løst ilegg forbrenner veden raskt fordi det lettere kommer oksygen til hver treski. Bruk løst ilegg hvis du skal fyre en kort stund.

Kompakt ilegg



Ved kompakt ilegg forbrenner veden saktere fordi det kommer oksygen til bare noen av vedskiene. Bruk kompakt ilegg hvis du skal fyre lengre.

4. Lukk ildstedets dør.
5. Lukk den primære luftregulatoren og la den sekundære luftregulatoren være åpen.

 Fyll ildstedet maks. en tredjedel.

Maksimal vedmengde.

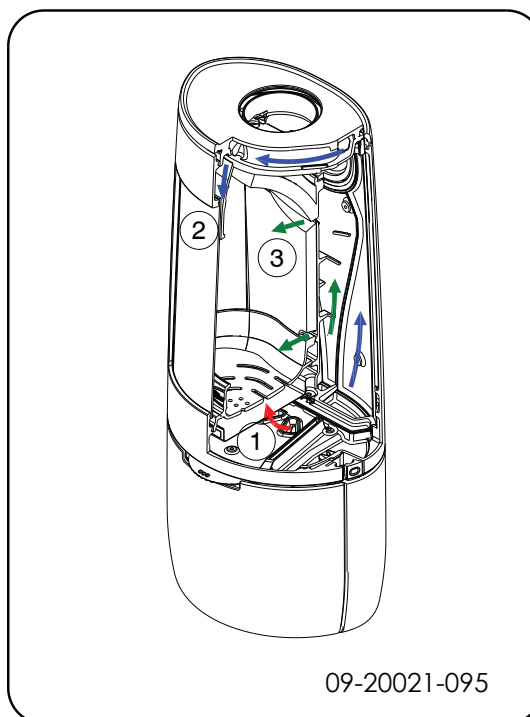
For å kunne fyre opp mot den nominelle effekten må det legges inn ny ved hvert 45. minutt. Hvis du reduserer vedmengden hver gang du legger inn ved kan du fylle oftere. Hvert ildsted er konstruert for å funksjonere med en viss vedmengde. Hvis du bruker en større vedmengde blir varmeavgivelsen større. Dette kan føre til at ovnen blir overbelastet, og deler kan skades.

Tillat maksimal mengde brensel for ved med et vanninnhold på 15 %:

BOLD 7 kW har en maksimal fylling på 1,5 kg ved per 45 minutter. Fyll forbrenningskammeret maks en tredjedel fullt, og fyll aldri ved over åpningen til sekundærluften.

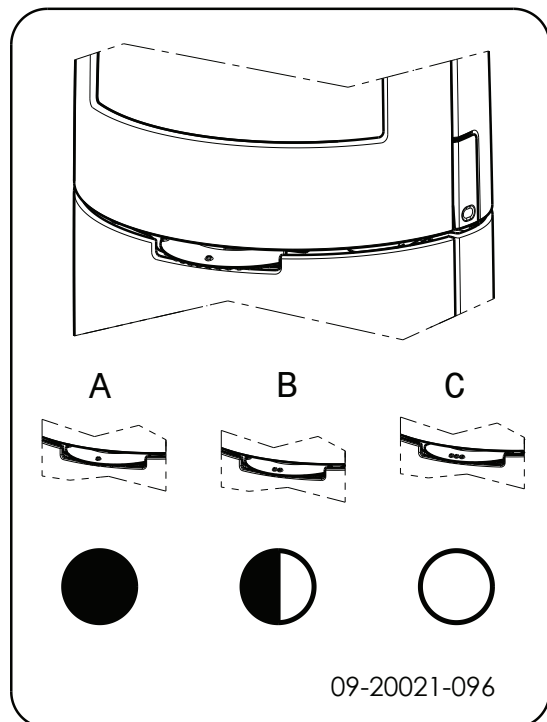
Regulering av forbrenningsluft

Ildstedet har flere muligheter for luftregulering; se neste figur.



Ildstedet har én luftregulator som regulerer både den primære og sekundære luften. Hvis luftregulatoren står i posisjon 3, er både det primære og sekundære luftinntaket åpent. Etter hvert som luftregulatoren stenges, lukkes først det primære luftinntaket og deretter det sekundære luftinntaket. Hvis

trekkventilen står helt lukket i posisjon 1, vil det fortsatt være en liten luftåpning som sørger for luft til etterbrenningen under hvelvplaten.





Den primære luftregulatoren regulerer luften under risten (1).

Den sekundære luftregulatoren regulerer luften for glasset (air-wash) (2).


Under hvelvplaten har bakveggen permanente luftåpninger (3) som sørger for etterforbrenning.

Råd

-  Fyr aldri med åpen dør.
-  Fyr kraftigere i ildstedet med jevne mellomrom.

Hvis du fyrer lenge med svak varme, kan det dannes tjære og kreosot i skorsteinen. Tjære og kreosot er meget brennbart. Hvis det dannes for mye av disse stoffene, kan det oppstå pipebrann ved en plutselig høy temperatur. Ved å fyre kraftigere med jevne mellomrom, forsvinner eventuelle belegg av tjære og kreosot. Dessuten kan det oppstå tjærebelegg på ildstedets glass og dør hvis man fyrer med for lav temperatur. Ved en høyere utetemperatur er det derfor

bedre å fyre godt i ildstedet et par timer enn å fyre lenge med lav temperatur.

- ▶ Reguler lufttilførselen med luftregulatoren.
 -  Sekundærluftregulatoren tilfører forbrenningsluft og sørger samtidig for spyling av glasset for å redusere sotbelegget.
- ▶ Åpne de primære lufttilførselen midlertidig hvis det er utilstrekkelig lufttilførsel gjennom den sekundære lufttilførselen eller hvis du ønsker å stimulere bålet.
- ▶ Det er bedre å legge inn litt ved med jevne mellomrom enn mange vedkubber på en gang.

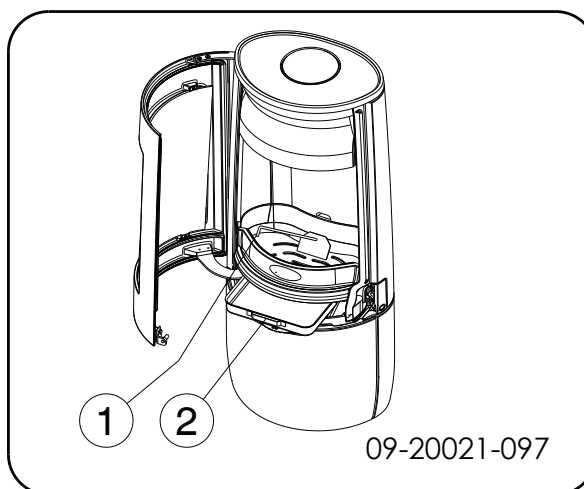
Bålet slukker

Ikke legg på brensel og la ildstedet slukke av seg selv. Hvis man demper flammene ved å strupe lufttilførselen, frigjøres skadelige stoffer. La derfor ilden brenne ut av seg selv. Pass på bålet til det er helt slukket. Når bålet er helt slukket kan man lukke alle luftregulatorer.

Tømme aske

Etter fyring med ved oppstår det en relativt liten mengde aske. Dette askebedet er en god isolator for brenselristen og gir bedre forbrenning. La derfor et tynt askelag ligge på brenselristen.

Lufttilførselen gjennom brenselristen må imidlertid ikke hindres og aske må ikke akkumuleres bak en indre brennplate av støpejern. Fjern derfor regelmessig overskuddet av aske.



1. Åpne ildstedets dør.
2. Bruk askeraken for for å skyve den overflødig asken gjennom risten i askeskuffen
3. Ta ut askeskuffen ved hjelp av den medleverte hansken og tøm askeskuffen.
4. Sett askeskuffen tilbake og lukk døren til ildstedet.

Tåke

Tåke hindrer strømmen av røykgasser ut av skorsteinen. Det kan oppstå røyknedslag som gir plagsom lukt. Hvis det ikke er nødvendig, bør man ikke fyre i ildstedet mens det er tåke.

Eventuelle problemer

Se vedlegget "Diagnoseskjema" for å løse eventuelle problemer i forbindelse med bruk av ildstedet.

Vedlikehold

Følg vedlikeholdsanvisningene i dette kapitlet for å holde ildstedet i god stand.

Skorstein

I mange land er det lovpålagt krav til kontroll og vedlikehold av skorsteinen.

- ▶ Ved starten av fyringssesongen: la en autorisert feier feie skorsteinen.
- ▶ I løpet av fyringssesongen og etter at skorsteinen ikke har vært brukt på lang tid:
- ▶ Etter avsluttet fyringssesong: tett skorsteinen med en propp av avispapir.

Rengjøring og annet regelmessig vedlikehold



Ikke rengjør ildstedet mens det fremdeles er varmt.

- ▶ Rengjør ildstedet utvendig med en tørr klut som ikke loer.

Etter at fyringssesongen er avsluttet kan ildstedet rengjøres grundig innvendig:

- ▶ Fjern eventuelt brennplatene først. Se kapitlet "Montering" for anvisninger om demontering og montering av brennplatene.
- ▶ Rengjør eventuelt lufttilførselskanalene.
- ▶ Fjern hvelvplaten øverst i ildstedet og gjør den ren.

Kontroll av brennplater

De ildfaste brennplatene er forbruksdeler som utsettes for slitasje. Brennplatene av vermikulitt er sårbare. Pass på at du ikke støter bort brennplatene med vedkubbene. Kontroller brennplatene med jevne mellomrom og skift dem om nødvendig.

- ▶ Se kapitlet "Montering" for anvisninger om demontering og montering av brennplatene.



Det kan oppstå krakelering i de isolerende brennplatene av vermikulitt eller skamolx, men det reduserer ikke deres virkning.



Brennplater av støpejern holder lenge hvis du regelmessig fjerner asken som kan akkumuleres bak dem. Hvis man ikke fjerner asken som akkumuleres bak en plate av støpejern, kan ikke platen lenger avgi varme til omgivelsene og platen kan bli deformert eller sprekke.



Ildstedet må aldri brukes uten de indre brennplatene.


Glass rengjøring


Hvis glasset er grundig rengjort blir det mindre for skittent. Gå fram slik:

1. Fjern støv og løstsittende sot med en tørr klut.
 2. Rengjør glasset med et rengjøringsmiddel for ovnglass:
 - a. Ha rengjøringsmiddel for ovnglass på en kjøkkensvamp, påfør på hele glassoverflaten og la middelet virke litt.
 - b. Fjern skitten med en fuktig klut eller tørkepapir.
 3. Rengjør glasset en gang til med et vanlig rengjøringsmiddel for glass.
 4. Tørk glasset med en tørr klut eller tørkepapir.
- ▶ Ikke bruk slipende eller etsende produkter til rengjøring av glasset.



- Bruk husholdningshansker for å beskytte hendene.

 Hvis ildstedets glass er knust eller sprukket, må glasset skiftes før ildstedet brukes igjen.

 Unngå at det renner rengjøringsmiddel for ovnsglass mellom glasset og døren av støpejern.

Vedlikehold emaljert ildsted

Rengjør aldri ildstedet mens det er varmt. Det er best å rengjøre ildstedets emaljeoverflate med grønnsåpe og lunkent vann. Bruk minst mulig vann, og tørk godt av ildstedet for å unngå rustdannelse. Bruk aldri stålull eller slipemiddel. Sett aldri en vannkjele rett på et emaljert ildsted; bruk et kjeleunderlag for å unngå skader. Pass på at det ikke kommer aggressive syreholdige produkter på emaljerte deler.

Smøring

Selv om støpejern er litt selvsmørende, må de bevegelige delene smøres regelmessig.

- Smør de bevegelige delene (slik som føringsystemer, hengseltapper, hendler og luftregulatorer) med varrefast fett som kan kjøpes i spesialforretninger.

Etterbehandling av lakkskader

Små lakkskader kan behandles med varmebestandig spesiallakk på sprayboks som kan kjøpes hos din forhandler.

Etterbehandling av emaljeoverflaten


Emaljering er en håndverksprosess som innebærer at det kan oppstå små fargeforskjeller og skader på ildstedet. Ildstedene kontrolleres visuelt på fabrikken. Det vil si at en kontrollør undersøker overflaten i 10 sekunder på 1 meter avstand.

Eventuelle skader som ikke synes under denne kontrollen regnes som OK. Til ildstedet medleveres varmebestandig spesiallakk som kan brukes til etterbehandling av mindre (transport-) skader. Påfør den varmebestandige lakken i tynne lag og la den tørke godt før ildstedet brukes.

- Noen emaljefarger kan være følsomme for temperaturendringer. Derfor kan det hende at fargen forandrer seg mens ildstedet brukes. Når


ildstedet er avkjølt får emaljen den opprinnelige fargen igjen.

- Hvis emaljerte overflater blir svært varme kan det oppstå krakelering. Dette er normalt og påvirker ikke ildstedets funksjon.

 Sørg for at ildstedet ikke overbelastes. Ved overbelastning blir overflatetemperaturen svært høy og det kan oppstå varige skader på emaljen.

Kontroller tetning

- Kontroller at dørpakningen fremdeles tetter godt. Pakningen slites og må skiftes i tide.
- Kontroller om ildstedet lekker luft. Eventuelle sprekker tettes med ovnskitt.

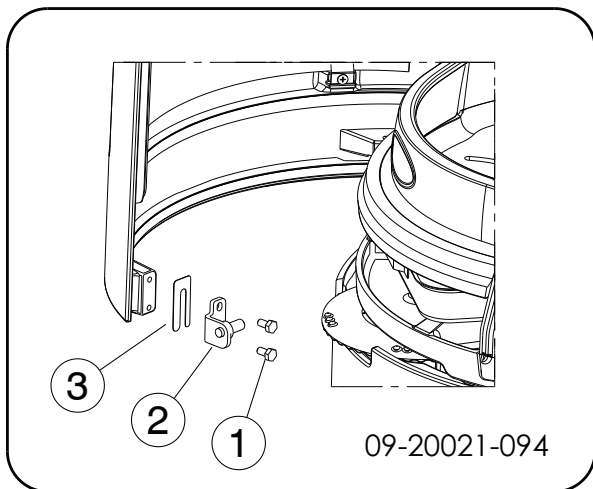
 La kittet herde skikkelig før ildstedet brukes, ellers ekspanderer fuktigheten i kittet slik at det oppstår en ny lekkasje.

Justere lukking av dør

Kontroller om døren lukker godt. Om nødvendig kan lukkingen av døren innstilles strammere eller løsere ved å forandre avstanden fra tappen til døren. Gå fram slik:

1. Åpne døren. Tappen (2) er nå synlig og tilgjengelig, se neste figur.
2. Skru løs de to skruene (1) som tappen er festet med.
3. Ved å fjerne en skive (3) bak tappen (2) lukkes døren strammere. Hvis døren lukkes for stramt, legger man en ekstra skive bak tappen.
4. Stram de to skruene til tappen igjen og lukk døren.



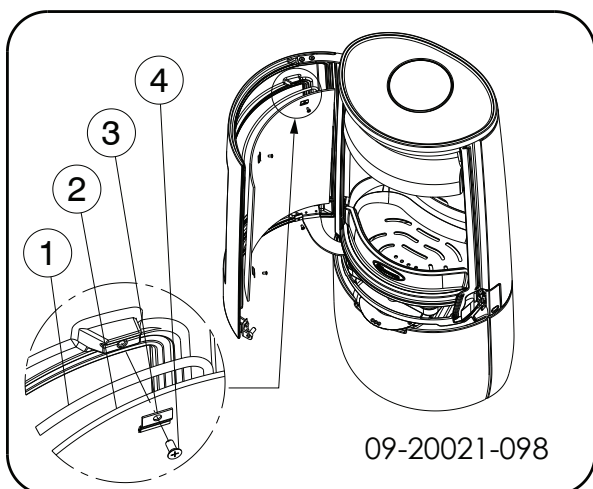


Skifte glass

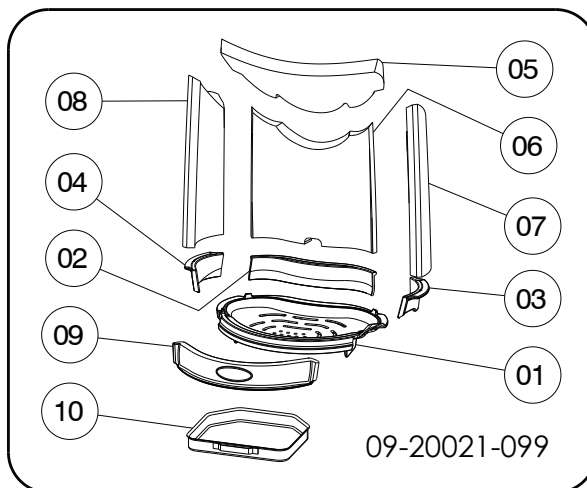
⚠ Hvis ildstedets glass er knust eller sprukket, må glasset skiftes før ildstedet brukes igjen.

Gå fram slik:

1. Skru løs de fire glassfestene med delene (3) og (4) og fjern glasset (2), se neste figur.
2. Kontroller glasstetningen og sett på et nytt tetningsbånd om nødvendig.
3. Sett det nye glasset i falsen og skru fast glassfestene.



Utskiftingsdeler deler BOLD



BOLD 300/400

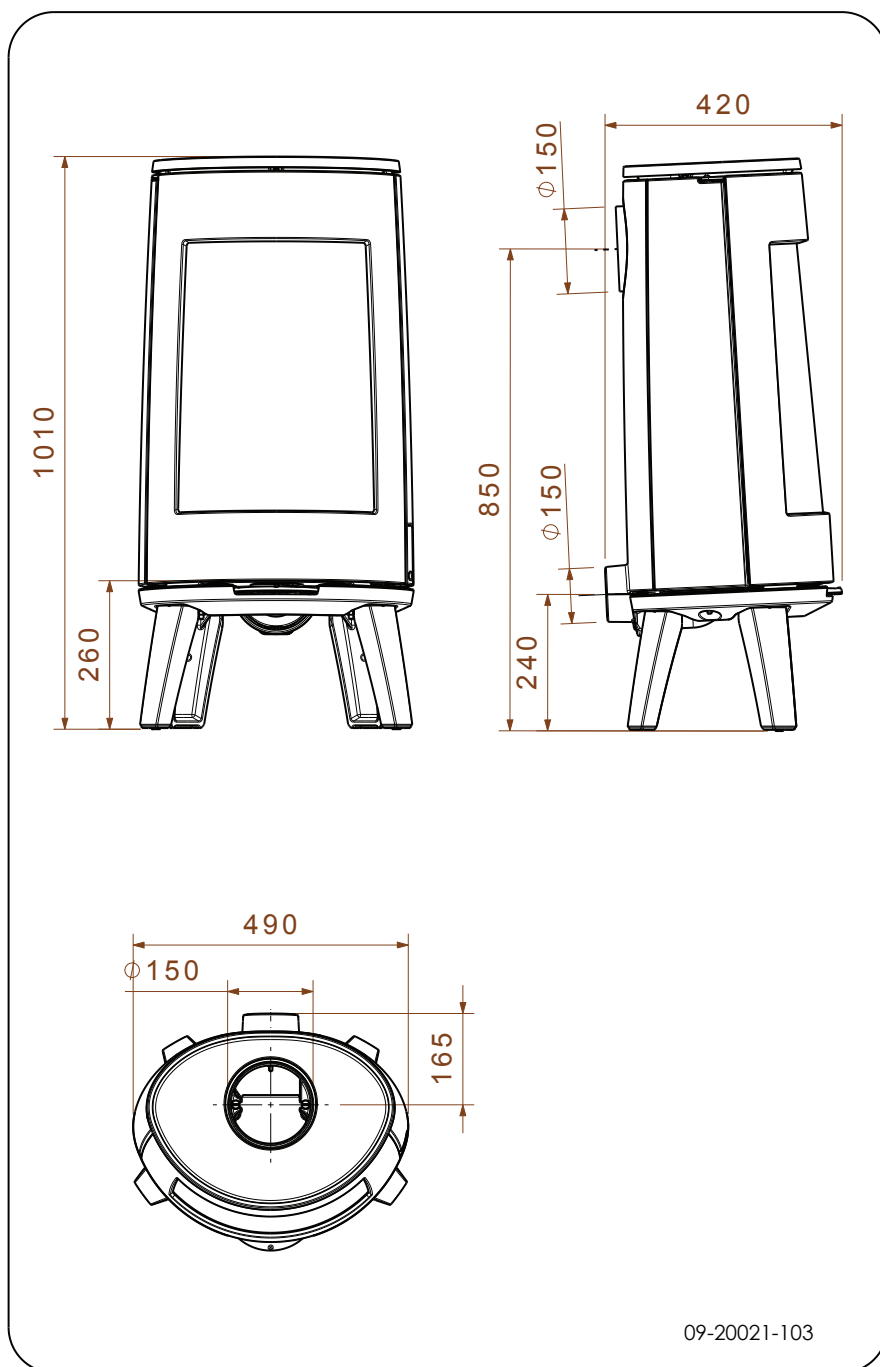
Pos.	Artikkelnr.	Betegnelse	Antall
01	70.66559.021	brenselrist	1
02	70.77467.021	kubbestopper bak	1
03	70.77466.021	kubbestopper høyre	1
04	70.77465.021	kubbestopper venstre	1
05	70.76191.000	hvelvplate	1
06	70.77564.000	brennplater bak	1
07	70.77563.000	brennplate høyre side	1
08	70.77562.000	brennplate venstre side	1
09	70.77458.021	kubbestopper	1
10	70.05216.000	askeskuff	1
11	70.26384.000	bøyd glass	1
12	70.26101.041	servicesett glassfesting	1
13	70.79870.000	servicesett snor 6 mm	1
14	70.79869.000	servicesett snor 8 mm	1
15	70.79868.000	servicesett bånd selvklebende	1
16	70.72629.000	servicesett fjær selvlukkende dør	1
17	70.64315.000	servicesett lukking	1

Vedlegg 1: Tekniske data

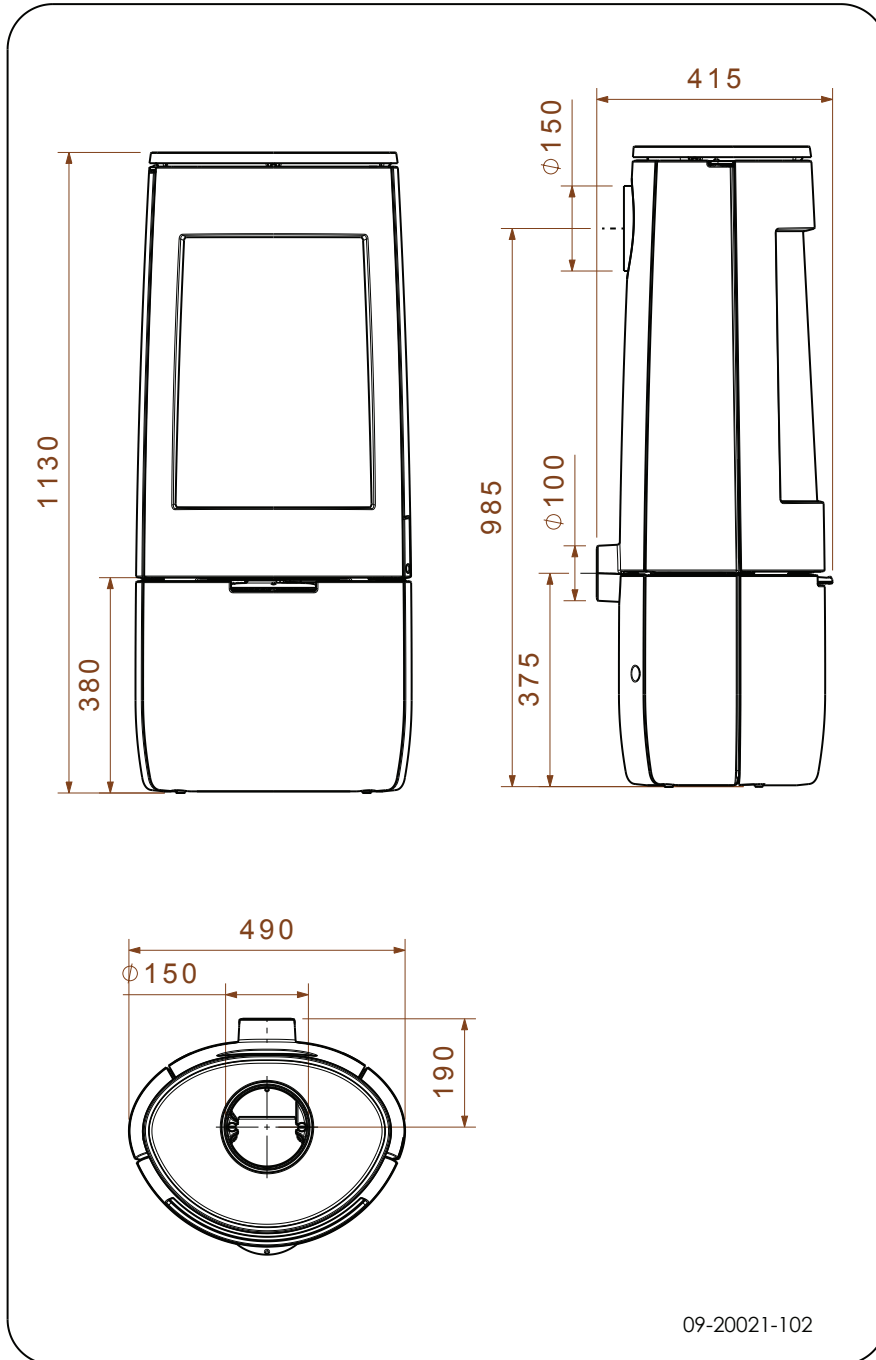
Modell	BOLD 300/400
Nominell ytelse	7 kW
Skorsteinstilkobling (diameter)	150 mm
Vekt	130 kg - 145 kg
Anbefalt brensel	Ved
Kjennetegn brensel, maks. lengde	35 cm
Gjennomstrømming av røykgasser	5,6 g/s
Røykgasstemperatur målt i måleseksjonen	246 °C
Temperatur målt ved ovnens uttak	356 °C
Minimumstrekk	12 Pa
CO-utslipp (13 % O ₂)	0,10 %
NOx-utslipp (13 % O ₂)	90 mg/Nm ³
CO-utslipp (13 % O ₂)	102 mg/Nm ³
Partikkelutslipp	22 mg/Nm ³
Partikkelutslipp i henhold til NS3058-NS3059	2,64 g/kg
Utnyttelse	80 %

Vedlegg 2: Mål

BOLD 300



BOLD 400

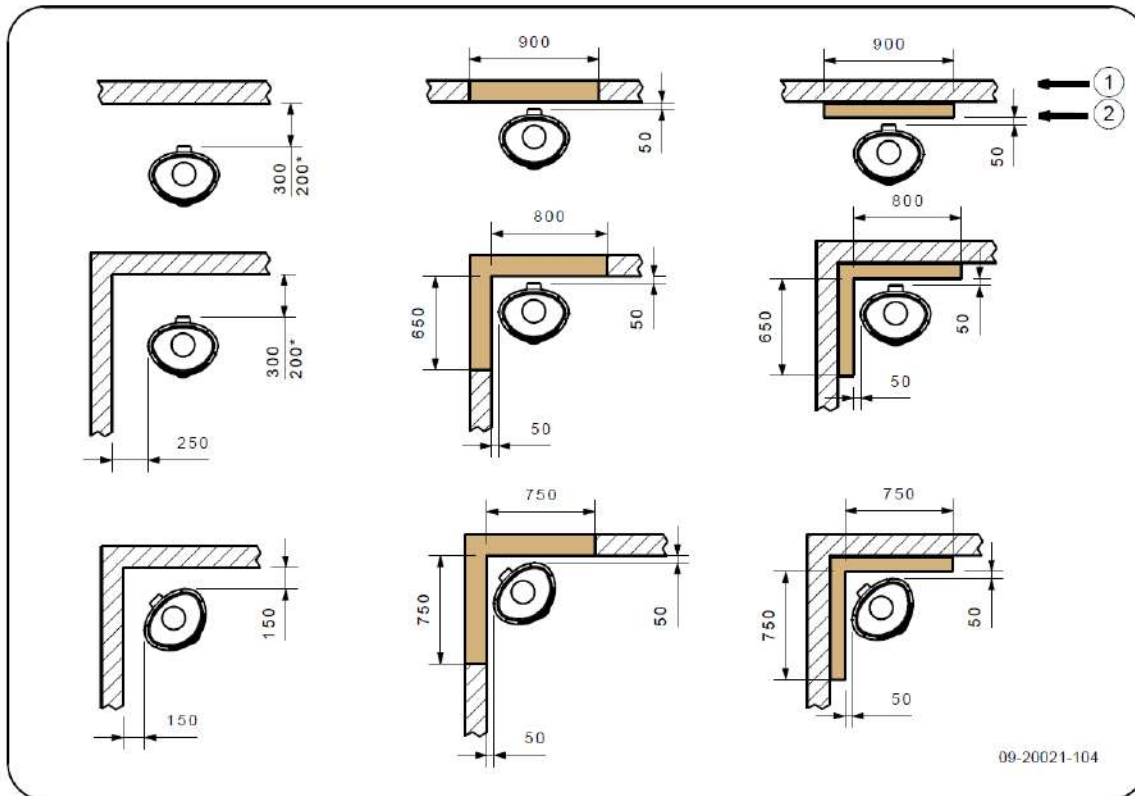


Norsk



Vedlegg 3: Avstand til brennbart materiale

BOLD 300/400 - Minimumsavstander i millimeter for utførelse uten varmeskjold



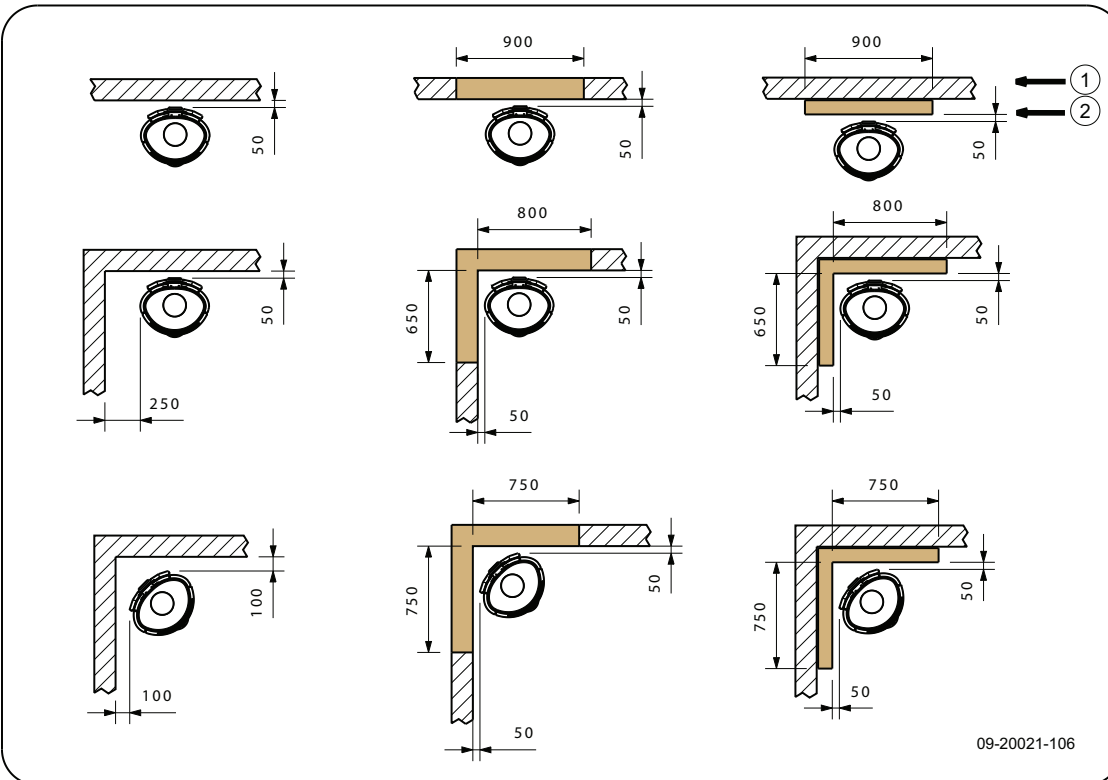
* Med isolert ovnsrør

1	Brennbart materiale
2	Ubrennbart materiale 100 mm



NB! For å sikre tilførselen av forbrenningsluft, må avstanden mellom rørstussen for frisklufttilførsel og veg-gen være minst 20 mm, når det ikke er tilkoblet noen frisklufttilførsel.

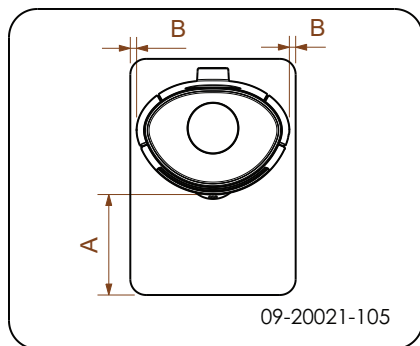
BOLD 300/400 - Minimumsavstander i millimeter for utførelse med varmeskjold og isolert ovnsrør.



1	Brennbart materiale
2	Ubrennbart materiale 100 mm

⚠ NB! For å sikre tilførselen av forbrenningsluft, må avstanden mellom rørstussen for frisklufttilførsel og veg-gen være minst 20 mm, når det ikke er tilkoblet noen frisklufttilførsel.

BOLD - Mål ikke-brennbar gulvplate



Minimumsmål ikke-brennbar gulvplate

	A (mm)	B (mm)
Din 18891	500	300
Tyskland	500	300
Finland	400	100
Norge	300	5

Vedlegg 4: Diagnoseskjema

					Problem	
●					Veden fortsetter ikke å brenne	
	●				For dårlig varme	
		●			Ildstedet ryker inn under påfylling	
			●		Ildstedet brenner for kraftig, vanskelig å regulere	
				●	Sotdannelse på glass	
					mulig årsak	mulig løsning
●	●	●		●	For dårlig trekk	En kald skorstein gir ofte for dårlig trekk. Følg instruksjonene for opptenning i kapitlet "Bruk"; åpne et vindu.
●	●	●		●	For fuktig ved	Bruk ved med maks. 20 % fuktighet.
●	●	●		●	For stor ved	Bruk finkløyvd opptenningsved. Bruk kløyvd ved med en omkrets på maks. 30 cm.
●	●	●	●	●	Veden er lagt feil i	Veden er lagt i slik at det kan strømme tilstrekkelig med luft mellom vedskiene (løst ilegg, se "Fyring med ved").
●	●	●		●	For dårlig trekk i skorsteinen	Minst 4 meter høy, riktig diameter, godt isolert, glatt innvendig, ikke for mange bend, ingen hindringer i skorsteinen (fulgereir, for mye sotbelegg), lufttett (uten sprekker).
●	●	●		●	Skorsteinens utløp er ikke riktig	Tilstrekkelig høyde over taket, ingen hindringer i nærheten.
●	●	●	●	●	Luftregulatorer feil innstilt	Åpne luftregulatorene helt.
●	●	●		●	Ildstedets tilknytning til skorsteinen er ikke riktig	Tilknytningen må være lufttett.
●	●	●		●	Undertrykk i rommet der ildstedet står	Slå av kjøkkenvifte.
●	●	●		●	Utilstrekkelig tilførsel av forbrenningsluft	Sørg for tilstrekkelig tilførsel av frisk luft, bruk om nødvendig tilknytningen for direkte tilførsel av forbrenningsluft.
●	●	●		●	Ugunstige værforhold?- Inversjon (omvendt luftstrøm i skorsteinen pga. høy utetemperatur), ekstrem vindhastighet	Ved inversjon frarådes bruk av ildstedet. Monter eventuelt skorsteinshatt på skorsteinen.
		●			Trekk i rommet der ildstedet står	Unngå trekk i rommet; ildstedet må ikke plasseres i nærheten av en dør eller varmluftkanaler.
				●	Flammer berører glasset	Pass på at veden ikke ligger for nær glasset. Steng den primære luftregulatoren enda mer.
			●		Ildstedet lekker luft	Kontroller tetningen til ildstedets dør samt ildstedets sprekker.

Indeks

A	
Advarsel	13
belaste dør	5
brennbart materiale	5
forsikringsvilkår	5
forskrifter	5
glass knust eller sprukket	5, 15-16
ildfaste indre brennplater	10
pipebrann	5, 10
rengjøringsmiddel for ovnsglass	15
varm overflate	5
ventilasjon	5-6
Åpne	
askeskuff	14
dør	7
Askeskuff	
åpne	14
B	
Bål	
slukke	13
Bålet slukker	13
Bartre	10
Brannsikkerhet	
avstand til brennbart materiale	20
gulv	6
møbler	6
vegger	6
Brennbart materiale	
avstand til	20
Brennstoff	
fylle	11, 13
Brensel	
nødvendig mengde	14
påfylling	12
passende	10
uegnet	10
ved	10
D	
Deler, demonterbare	7
Demonterbare deler	7
Dør	
åpne	7
justere	15
lukking	15
pakning	15

tapp	15
Dørpakning	15
E	
Emalje	
vedlikehold	15
F	
Feiing av skorsteinen	14
Fett til smøring	15
Fjerne	
aske	13
indre brennplater	8
Fjerne aske	13
Frisklufttilførsel	9
Fylle brennstoff	11, 13
Fyllhøyde ildsted	12
Fyre	
fylle brennstoff	11, 13
Fyring	
for dårlig varme	23
ildstedet brenner for kraftig	23
ildstedet er vanskelig å regulere	23
opptenning	10
utilstrekkelig varme	14
G	
Gall underlag	10
Glass	
rengjøring	14
skadet	16
skifte	16
sotdannelse	23
sprukket	16
Glassdør	
rengjøring	14
Gulv	
bæreevne	6
brannsikkerhet	6
Gulvets bæreevne	6
Gulvteppe	6
H	
Hatt på skorsteinen	6
Hengsel	
justere	15



I	
Ildfaste indre brennplater	
advarsel	10
vedlikehold	14
Ildstedetdet ryker inn	23
Indre brennplater	
fjerne	8
vermikulitt	8
Indre brennplater av støpejern	8
K	
Koble til skorstein	
på toppen	8
Kreosot	13
L	
Lagring av ved	10
Lakk	10
Legg vedskier	12
Løse problemer	14
Luftte ilden	13
Luftlekkasje	15
Luftregulatorer	11
Luftregulering	12
M	
Mål	18
N	
Nominell effekt	14, 17
O	
Oppstilling	
mål	18
Opptenning	10
Opptenningsbål	10
Opptenningsved	23
Overflatefinsh, vedlikehold	15
P	
Påfylling av brensel	
ildstedet ryker inn	23
Partikkelutslipp	17
Passende brensel	10
Pipebrann	13

Plassere	
antiskli	10
Primær luftregulator	11
Problemløsning	23
R	
Rå ved	10
Regulere lufttilførsel	13
Regulering av forbrenningsluft	12
Rengjøre	
ildsted	14
Rengjøring	
glass	14
Rengjøringsmiddel for glass	14
Rørstuss skorsteinstilkobling	8
Røyk	
ved første gangs bruk	10
Røykgass	
temperatur	4, 17
Røykgasser	
gjennomstrømming	17
Ruter	
sotdannelse	23
S	
Sekundær luftregulator	11
Skade	7
Skifte	
glass	16
Skorstein	
høyde	6
koble til	10
krav	5
tilkoblingsdiameter	17
vedlikehold	14
Skorsteinshatt	6
Skorsteinstilkobling	
bakside	8
toppen	8
Smøring	15
Sprekker i ildstedet	15
T	
Tåke, ikke fyr i ildstedet	14
Tapp	
skive	15
Temperatur	17

Tilbakeslag av røyk	5
Tilførsel av forbrenningsluft utenfra	6
Tilkoble	
mål	18
Tilkobling til frisklufttilførsel	9
Tilkobling til skorstein	
på baksiden	8
Tjære	13
Tømming av aske	13
Tørking av ved	10
Trekk	17

U

Uegnet brensel	10
Underlag	
glatt	10
Unngå pipebrann	13
Utelufttilførsel	
koble til	10
Utnyttelse	4, 17

V

Værforhold, ikke fyr i ildstedet	14
Varme, for dårlig	23
Varme, utilstrekkelig	14
Ved	10
egnet type	10
fortsetter ikke å brenne	23
oppbevaring	10
rå	10
tørking	10
Vedlikehold	
emalje	15
ildfaste indre brennplater	14
rengjøre ildsted	14
rengjøring av glass	14
skorstein	14
smøring	15
tetning	15
Vegger	
brannsikkerhet	6
Vekt	17
Ventilasjon	6
tilkobling frisklufttilførsel	9
tommefingerregel	6
Ventilasjonsrist	6

Vermikulitt	
ildfast	8
Vermikulitt indre brennplater	8

