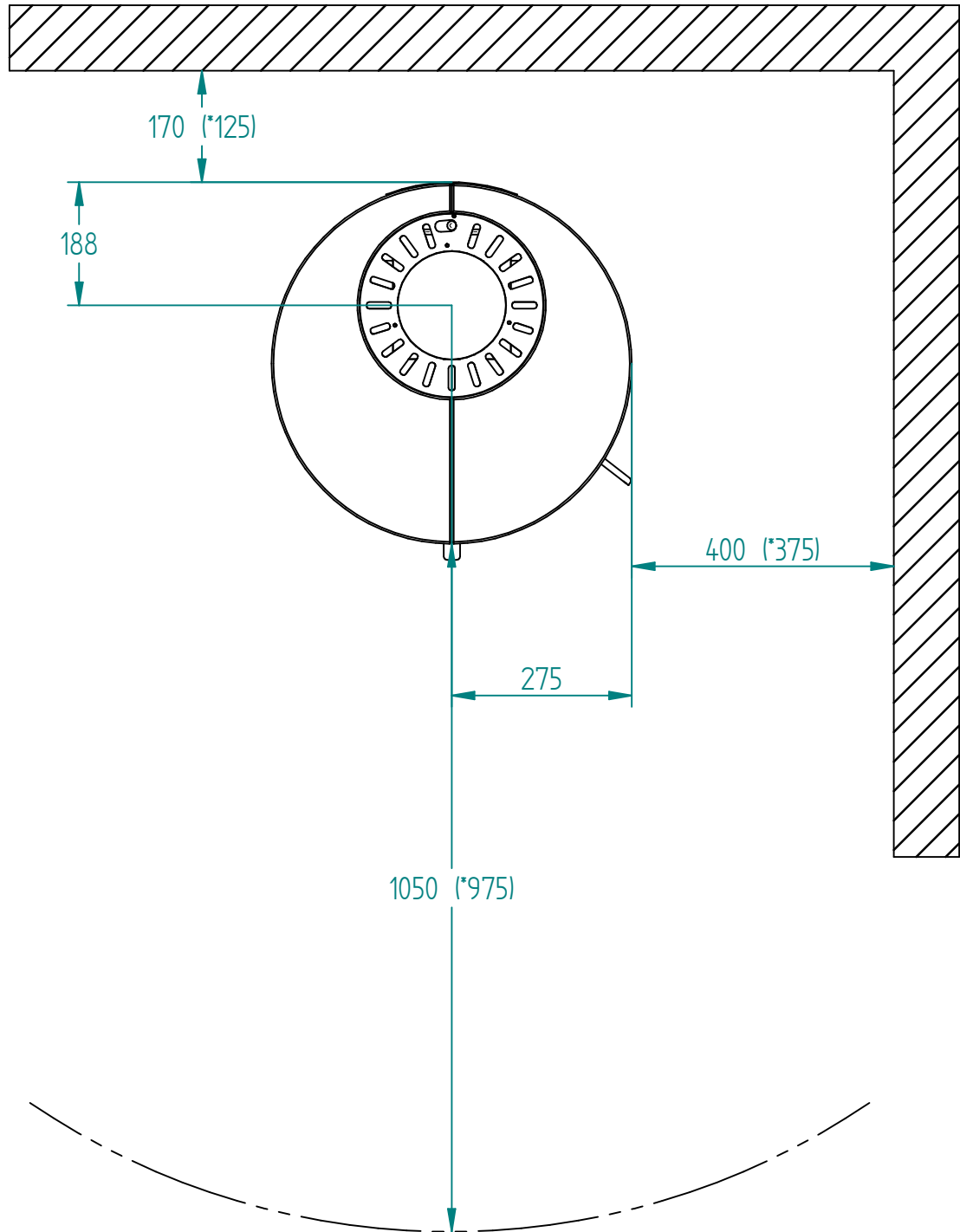


Model:

Troja 44 / 45 / 46

Sheet/Sheets: 1 / 2

Date: 07/09-2021



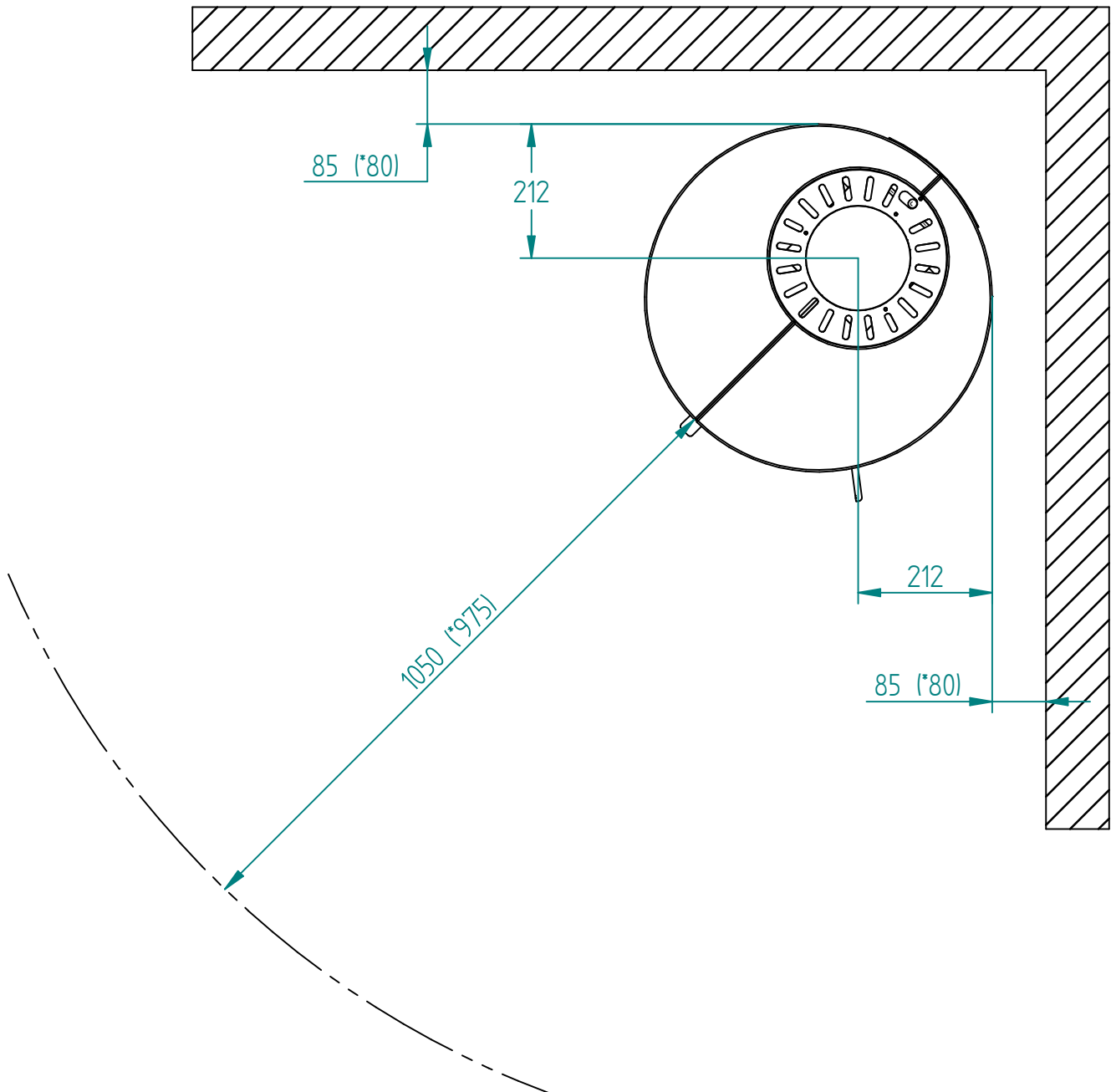
\* The number given in parentheses shows the distance to combustibile when titled with insulated flue

Model:

Troja 44 / 45 / 46

Sheet/Sheets: 2 / 2

Date: 07/09-2021



\* The number given in parentheses shows the distance to combustible when titled with insulated flue