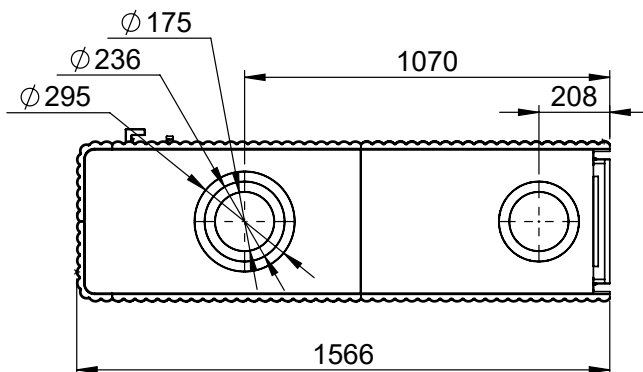
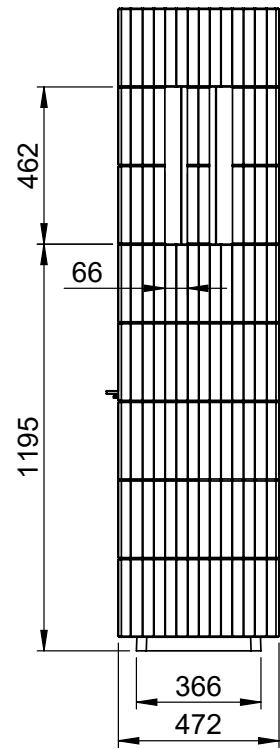
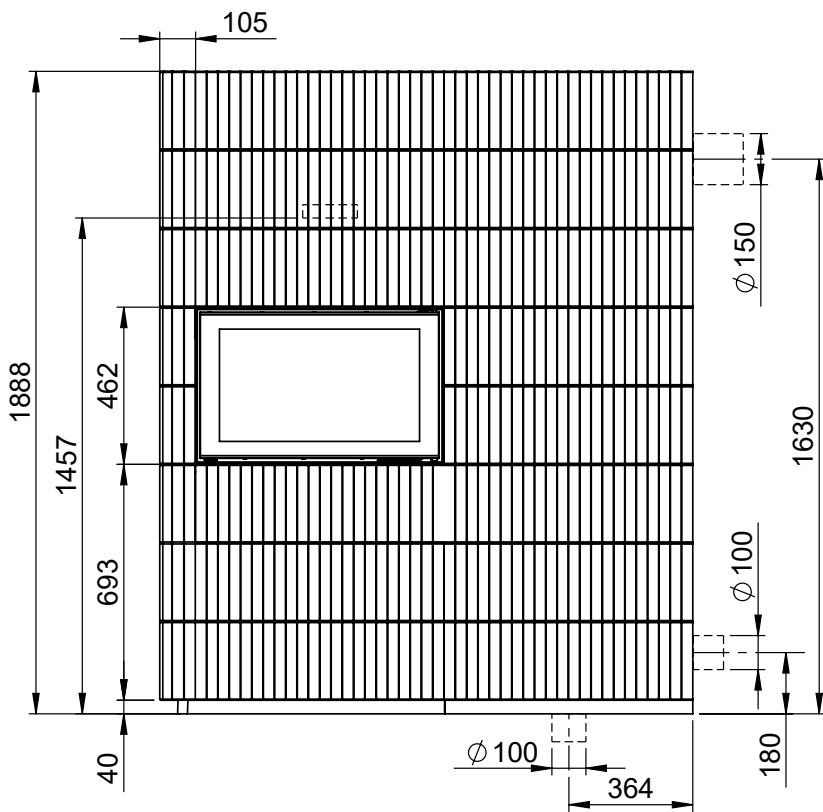
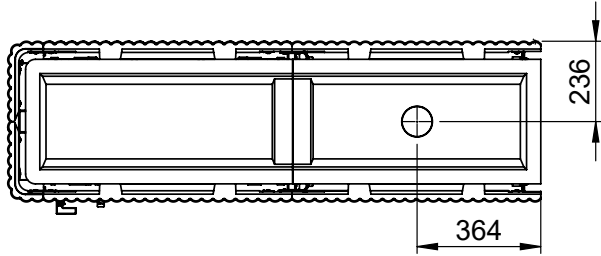


Measurements

WAVE T 3+3 WIDE

 Nordpeis



Measurements

WAVE T 3+5 WIDE

 Nordpeis

